

Master Owner's Manual

Axles and Suspension



LIPPERT
COMPONENTS®

User notice

The Table of Contents is an interactive field. Click on the desired section to be taken immediately to the corresponding page.

Master Owner's Manual

The Master Owner's Manual is intended to provide information on Lippert Components Inc.'s most widely-used products. Products described in the Master Owner's Manual may not be on every trailer. The trailer may also have products not included in this manual. All manual information is subject to change without notice. Revised editions will be available for free download at lci1.com/support. Manual information is considered factual until made obsolete by a revised version. Manual information may be distributed as a complete document only, unless Lippert Components provides explicit consent to distribute individual parts.

TABLE OF CONTENTS

TRAILER AXLES 2K-7K	7
Introduction	7
Safety Information	7
Break-In Period For Electric Drum Brakes.....	8
Trailer Axle Brake Inspections	8
Recommended Component Inspection Periods.....	9
Hubs/Drums/Bearing	9
Brake Hub Removal.....	9
Clean Brake Drum.....	10
Brake Drum Inspection.....	11
Disc Brake Rotor and Pad Inspection.....	11
Disc Brake Caliper.....	11
Bearing Inspection - Inner and Outer.....	11
Bearing Cup Inspection and Removal.....	12
Brake/Idler Hub Installation.....	13
Inner Bearing Cone and Grease Seal Installation.....	13
Bearing Lubrication - Oil.....	16
Oil Seal.....	16
Periodic Bearing Inspection.....	16
Spindle Nut Adjustment.....	17
Disc Brake Option	17
Disc Brake Pads.....	17
Disc Brake Caliper.....	17
Electric Brakes	17
How to Use Lippert Electric Brakes Properly.....	17
General Maintenance - Electric Brakes	18
Brake Adjustment.....	18
Lubricate Brakes.....	19
Clean and Inspect Brakes.....	19
Magnets.....	19
Shoes and Linings.....	20
Hub Replacement.....	20
Axle and Suspension Installation	21
Suspension Systems.....	21
Double-Eye Leaf Springs.....	22
Torsion Suspension System.....	24
Inspection.....	25
Equalizer Replacement.....	25
Suspension Replacement.....	26
Wheels	26
Wheel Selection.....	26

Torque Requirements.....	26
Tires.....	27
Introduction to Troubleshooting	28
Troubleshooting.....	28
Troubleshooting Chart.....	29
Measuring Voltage.....	29
Measuring Amperage.....	29
Amperage Chart.....	31
Maintenance Schedule	32
Wiring Diagram	33
Pigtail and Coupler Wiring Color Codes	34
Storage	35
Storage Preparation.....	35
Extended Storage Inspection Procedures.....	35
Trip Preparation Checklist	36
TRAILER AXLES 8K-16K	37
Introduction	37
Safety Information	37
Break-In Period For Electric Drum Brakes.....	38
Trailer Axle Brake Inspections	38
Recommended Component Inspection Periods.....	39
Hubs/Drums/Bearing	39
Brake Hub Removal.....	39
Clean Brake Drum.....	40
Brake Drum Inspection.....	41
Disc Brake Rotor and Pad Inspection.....	41
Disc Brake Caliper.....	41
Bearing Inspection - Inner and Outer.....	41
Bearing Cup Inspection and Removal.....	42
Brake/Idler Hub Installation.....	43
Inner Bearing Cone and Grease Seal Installation.....	43
Bearing Lubrication - Oil.....	46
Oil Seal.....	46
Periodic Bearing Inspection.....	46
Spindle Nut Adjustment.....	47
Disc Brake Option	47
Disc Brake Pads.....	47
Disc Brake Caliper.....	47
Electric Brakes	47
How to Use Lippert Electric Brakes Properly.....	47
General Maintenance - Electric Brakes	48
Brake Adjustment.....	48
Lubricate Brakes.....	49
Clean and Inspect Brakes.....	49
Magnets.....	49
Shoes and Linings.....	50
Hub Replacement.....	50
Axle and Suspension Installation	51
Suspension Systems.....	51
Double-Eye Leaf Springs.....	52
Slipper Leaf Springs—Optional.....	53

Torsion Suspension System.....	54
Inspection.....	55
Equalizer Replacement.....	55
Suspension Replacement.....	56
Adjustable Spring Seats.....	56
Wheels	56
Wheel Selection.....	56
Torque Requirements.....	56
Tires.....	57
Introduction to Troubleshooting	58
Troubleshooting.....	58
Troubleshooting Chart.....	59
Measuring Voltage.....	59
Measuring Amperage.....	59
Amperage Chart.....	61
Maintenance Schedule	62
Wiring Diagram	63
Pigtail and Coupler Wiring Color Codes	64
Storage	65
Storage Preparation.....	65
Extended Storage Inspection Procedures.....	65
Trip Preparation Checklist	66
Notes	67

TRAILER AXLES 2K-7K

AXLES AND SUSPENSION

Introduction

Combining years of experience in the trailer frame and recreational vehicle industry with the newest and most innovative technology, Lippert Components, Inc. (LCI) introduces the Axle and Running Gear Division.

The following publication is designed to give the customer an easy-to-understand operation and service manual to provide useful and important information. The quality of the Lippert name and the finest materials utilized in the production of the Axles and Running Gear provide you with hubs, brakes, drums and spindles that make trailering and braking the finest in the industry.

Quality comes threefold at LCI:

1. The finest quality materials.
2. The latest technology and design.
3. The quality standards maintained from materials to final assembly.

All three points provide the customer with the best product they can possibly buy and the satisfaction of knowing they can trust the equipment on which they have spent their hard-earned money. LCI thanks you for purchasing our Axles and Running Gear. When you speak of LCI, our quality stands beside you.

Safety Information

WARNING

The “WARNING” symbol is a sign that precedes a service, maintenance or operational procedure containing a possible personal safety risk that could result in serious injury or death if stated safety precautions and procedural steps are not followed as set forth in this manual.

WARNING

Performing service, repair or routine maintenance work can cause personal injury or death. Use personal protective equipment (PPE) whenever performing service work or routine maintenance. Make sure work space is clean and free of slip or trip hazards.

Always wear eye protection when performing service or maintenance to the vehicle. Other safety equipment to consider would be hearing protection, gloves and possibly a full face shield, depending on the nature of the service.

This manual provides general service and maintenance procedures. Many variables can change the circumstances of the service procedure, e.g., the degree of difficulty involved in the service operation and the ability level of the individual performing the operation.

This manual cannot begin to plot out procedures for every possibility, but will provide the general instructions for effectively servicing the vehicle. In the event the skill level required is too high or the procedure too difficult, a certified technician should be consulted before performing the necessary service. Failure to correctly service the vehicle may result in voiding the warranty, inflicting injury or even death. The owner’s manual for your trailer may have more procedures for service and maintenance.

Break-In Period For Electric Drum Brakes

NOTE: Brakes should be manually adjusted after the first 200 miles of operation, then periodically every 3,000 miles.

The break-in period is a typical phenomenon with drum brakes and especially electric drum brakes. Electric drum brakes will require a break-in period to achieve full performance. This break-in period applies for new axles and any time new brake shoes and/or magnets are installed as part of regular maintenance. LCI has found through extensive brake testing that the break-in period for our drum brakes can range from 20 to 50 brake applications.

Brakes can be seated in by applying approximately 8-10 volts to the trailer brakes at an initial speed of 40 mph and allowing the truck/trailer combination to slow down to 20 or 25 mph. For best results do not use truck brakes during this procedure. The trailer brakes will seat in faster by using them to stop both the truck and trailer. The easiest method is to apply the trailer brakes using the manual activation lever located on the in-cab brake controller.

Care **MUST** be taken to not overheat the lining material, therefore brake applications conducted at one mile intervals will suffice. The driver should feel a noticeable difference in the brake performance during this period, sometimes in as few as 10 applications. After 50 applications, the brake lining material will be fully cured from the heat and develop close to 100% contact with the brake drum surface.

This break-in period not only seats the shoe lining material but also seats in the brake electromagnets. During the break-in period, the linings will wear at a faster rate than they do after they are seated in.

Trailer Axle Brake Inspections

In general, based on normal activity, trailer brakes should be checked annually or every 36,000 miles, whichever comes first. If above normal trailer activity is experienced, then more frequent brake component inspections are recommended. In the event the braking system encounters symptoms of improper application or failure, immediate inspection and service **MUST** be performed.

Recommended Component Inspection Periods

- Periodic Bearing Inspection - Should be performed annually or every 36,000 miles, whichever comes first.
- Bearing Lubrication Inspection - Should be performed annually unless periodic brake inspections reveal abnormal braking performance.
- Brake Cleaning and Inspection - Should be performed annually or every 36,000 miles, whichever comes first.

Hubs/Drums/Bearing

NOTE: A small amount of residual grease on the outside of a new brake hub is normal. Simply wipe the residual grease off of the brake hub. However, it is not normal for a hub to continue to weep grease after its initial installation. Excess grease can coat brake pads, magnets and braking surfaces inside of the hub, resulting in diminished braking capability. Have the brakes checked by a qualified service provider.

Brake Hub Removal

▲ WARNING

Always lift the trailer by its frame and never by its axle or suspension. Axle and suspension components are not designed, or rated, for the dead weight, point-of-contact loads that the trailer's frame is. Do not go under the trailer unless it is supported by appropriately rated jack stands. Improperly supported trailers can collapse, causing possible serious personal injury or death.

▲ WARNING

Wear appropriate personal protective equipment (PPE) when performing service or maintenance operations. Always wear eye protection when servicing trailer axles, brakes, hubs, springs and wheels. Not using PPE may result in serious personal injury or death.

Disassemble the brake hub assembly for inspection, maintenance or service as follows:

1. Make sure trailer is on level ground.
2. Chock tires before beginning wheel disassembly.
 - A. Chocked tires will prevent trailer from rolling while brakes are disengaged during disassembly, cleaning, inspection and assembly operations.
3. Loosen wheel lug nuts before raising the trailer to prevent tire from spinning during lug nut removal.
4. After lug nuts have been loosened, raise the trailer until the tire spins freely.
 - A. Continue to lift and support trailer per manufacturer's requirements.
 - I. Use appropriately rated jack stands.
 - II. Place jack stands under the trailer's frame only.
5. Remove all lug nuts from wheel, then remove wheel from brake hub.
 - A. Set wheel and lug nuts aside for later re-assembly.
 - B. Do not lean removed tire against trailer or any jacks. Leaning a heavy tire against a suspended trailer could cause damage to the outside of the trailer or place undue side pressure against a jack, possibly causing the trailer to become unstable.
6. Prior to brake hub disassembly, create a clean area to place removed parts to prevent possible contamination or damage to removed parts.

7. Remove dust cover from hub by prying its edge out of the hub.
 - A. If servicing a brake drum, remove the lubed dust cap with the installed lubed rubber plug.
 - B. If servicing an idler hub, remove the non-lubed dust cap.
 - C. If brake or idler hub assembly is equipped with oil lubrication, place a drip pan underneath the hub.
 - I. Unscrew oil cap using a 2 1/2" socket wrench.
 - II. Let oil drain into drip pan.

8. Pull cotter pin from spindle (castle) nut and discard.
 - A. The cotter pin is a one-time-use item. Do not re-install removed cotter pin.

9. Remove the spindle nut.

NOTE: Remaining grease on components can act as a mastic. Inspect removed spindle nut for attached spindle washer.

10. If spindle washer did not come off with the spindle nut, inspect the outer bearing. Grease may have allowed the washer to stick to it.
 - A. Remove spindle washer.
11. Pull brake or idler hub off of spindle as follows:
 - A. Make sure brakes have been disengaged.
 - B. To prevent outer bearing cone falling freely from the assembly, place one hand on the backside outer rim of the hub and the other hand over the outside of the hub bore to cover the bearing cone.
 - C. Slightly turn the hub while pulling to free the hub from the spindle.
 - I. The outer bearing cone will want to drop out of the hub. Secure the bearing and place it in the clean, removed part area.
 - II. The inner bearing cone and cup remains installed within the hub, contained by the grease seal, and will not fall out.
 - D. Remove the grease seal from hub bore as follows:
 - I. Set the brake or idler hub aside on a clean, solid surface with the outer bearing cup side facing down.
 - II. Use a seal puller or equivalent to remove grease seal from hub.
 - a. Do not re-install removed seal.
 - b. Discard removed seal.

Clean Brake Drum

Older brake linings may contain asbestos dust, which has been linked to serious or fatal illnesses. Certain precautions **MUST** be taken when servicing brakes:



Potential asbestos dust hazard. Do not use compressed air, a dry brush or dry rag to remove brake dust. Disturbed brake dust can become an airborne irritant that can be inhaled or ingested, causing serious personal illness or death. Wear appropriate personal protective equipment (PPE). Use aerosol brake cleaner to wash brake dust away.

Prior to brake drum inspection, clean the brake drum to remove any brake dust or lubricant film.

1. Avoid creating or breathing any brake dust.
2. Do not machine, file or grind brake linings.
3. Use an aerosol brake cleaner to wash away brake dust.
4. Place a drip pan underneath the brake drum to catch the brake cleaner for proper disposal.
5. Completely wash the entire brake drum, including the backing plate, magnet arm and brake shoes.
6. Inspect brake drum, braking components and backing plate for any remaining pockets of oil, grease or dust.
7. Repeat brake washing step if necessary.
8. Proceed with brake drum inspection.

Brake Drum Inspection

The brake shoes contact the drum's inner surface and the brake magnet contacts the armature. These surfaces are subject to wear and should be inspected periodically.



Resurfacing procedures can produce metal chips and brake dust that can contaminate the wheel bearings and cause component failure. Make sure that the wheel bearing cavities are clean and free of contamination before reinstalling bearings and seals.

1. The drum's inner surface should be re-machined if wear is more than 0.030" or out of round by more than 0.015".
2. The drum should be replaced if scoring or wear is greater than 0.090".

NOTE: If the brake drum must be re-machined, refer to the Brake Drum Specifications chart for the maximum allowable re-bore inner diameter. If the size of the machined bore diameter exceeds the specified dimension, a new brake drum **MUST** be used.

Brake Drum Specifications	
Drum	Maximum Re-bore Diameter
7"	7.09"
10"	10.09"
12"	12.09"

The inner surface of the brake drum that contacts the brake magnet is the armature surface.

1. If the armature surface is scored or worn unevenly, it should not be machined more than 0.030".
 - A. The magnets should be replaced whenever the armature surface is refaced.
 - B. Similarly, whenever the brake magnet is replaced, the armature surface should be refaced.

Disc Brake Rotor and Pad Inspection

Disc brake pads are a consumable item. Visually inspect disc brake pads every 36,000 miles or 12 months, whichever comes first. Disc brake rotor and brake pad surfaces should be visually checked at the same time. If there are deep grooves on one or both rotor surfaces this is an indication of caliper piston, slider bolt or residual pressure problems. Disc brake rotors should be turned when disc brake pads are replaced. Disc brake pads are available through auto parts stores.

Disc Brake Caliper

If the disc brake caliper mounting bolts are removed to service the brake system, do as follows:

1. Lubricate the inside of the rubber slider bolt caliper bushings.
 - A. The rubber bushings are not compatible with petroleum-based grease.
 - B. Use silicone-based grease only.
2. Apply blue thread locking compound to the threaded area of the caliper mounting bolts.
3. Install caliper mounting bolts. Torque caliper mounting bolts to 40-50 ft-lbs.

Bearing Inspection - Inner and Outer

An inspection of the bearing condition can detect early bearing issues. Upon inspection, bearings should look brand new and can be reassembled and used if in this condition.

NOTE: Bearing cones and cups are not interchangeable after installation. Each bearing **MUST** always be matched with its mating cup. Bearing cones and cups are replaced in matching sets of one cone and one cup.

▲ WARNING

Wear personal protective equipment (PPE) when using caustic materials. Aerosol, liquid and oil-based paste materials can present splash hazards and skin contact environments that can result in serious adverse eye and skin irritations. Follow all recommended safety precautions when using such materials.

1. Wash all grease and oil from the bearing cones using a suitable solvent.
2. Dry bearing cones with a clean, lint-free cloth.
3. Inspect bearing cone cages and rollers for any pitting, spalling, corrosion, flat spots, abnormal condition or discoloration.
 - A. If any of these imperfections are present, then the bearing cone and cup (race) **MUST** be replaced at the same time.
 - B. Bearings are available at auto part stores.
 - I. See Components pages for part numbers.
4. To remove a bearing cup (race) for replacement from the brake hub, go to [Bearing Cup Inspection and Removal](#) procedure.

Bearing Cup Inspection and Removal

▲ WARNING

Wear appropriate personal protective equipment (PPE) when performing service or maintenance operations. Always wear eye protection when servicing trailer axles, brakes, hubs, springs and wheels. Not using PPE may result in serious personal injury or death.

Clean brake or idler hub in accordance with [Clean Brake Drum](#) procedure and as follows:

1. Wipe all grease and oil from the hub, using care not to scratch or otherwise mar the bearing race.
2. Apply brake cleaner to hub.
3. Use lint-free cloths to dry the hub and bearing cups.
4. Inspect bearing cups (raceways) for pitting, spalling, corrosion, flat spots, abnormal condition or discoloration.
 - A. If the bearing cup (race) is in good condition, and its mating bearing cone is in reusable condition, the cup can remain installed in the hub for reuse.
 - B. If the bearing cup (race) is in good condition, but the bearing cone is not, the cup **MUST** be replaced.
 - C. If the bearing cup (race) is damaged, the cup **MUST** be replaced.

Replace damaged bearing cups (race) as follows:

1. For either inner or outer bearing cup, use a brass drift punch and hammer to lightly tap around the cup's exposed bearing race edge to push it out.
 - A. Move the drift punch evenly around the bearing cup edge to make sure the cup is pushed out evenly to prevent binding or damage to the bearing cup or hub bore.
2. Set the removed bearing cup aside and place it with its mating bearing cone.

NOTE: Removed bearing cones and cups are not interchangeable.

NOTE: Used bearing cone and cup sets must remain matched and re-installed as a matched set until the set is replaced with a new matching set.

3. After removal of the bearing cups from the hub, re-apply brake cleaner to the hub and the hub bearing cup bores to make sure all surfaces are properly prepared for component reassembly.
 - A. Make sure a drip pan is placed underneath the hub to capture and dispose of the cleaner.

Brake/Idler Hub Installation

Install the brake or idler hub onto the brake drum or spindle as follows:

1. Obtain appropriate hub for installation.
2. Inspect hub for cleanliness.
3. If both bearing cups are installed in the hub bearing bores, go to the Inner Bearing Cone and Grease Seal Installation procedure.
4. If either one of the bearing cups is not installed in the hub, do as follows:
 - A. Place hub on a solid, flat surface with installed bearing cup side of the hub facing down.
 - B. Obtain the appropriate bearing cup for installation. Refer to the Components pages for part numbers.



Bearing cup replacement is a precise procedure. When installed, the bearing cup MUST be fully seated against the retaining shoulder of the hub. If the cup is not seated correctly, damage to the completed hub assembly may occur, voiding warranty.

- C. Bearing cup replacement is a precise procedure. Consult LCI prior to replacing a bearing cup. The trailer should be taken to a certified service center for this work to be done.
- D. Gently place new bearing cup into hub bearing bore.
- E. Using a brass drift punch, lightly tap around the outer edge of the cup to drive it into the hub bearing bore.
 - I. Continue tapping the drift punch around the circumference of the cup's edge until the cup is fully seated against the hub's bearing bore retaining shoulder.
- F. Wipe the inside of the bearing cup (race) with a clean, lint-free cloth.
 - I. Inspect the bearing cup race to make sure no damage occurred during installation.
5. If no bearing cups are installed in the hub, do as follows:
 - A. Perform step 4 of this procedure.
 - B. Flip hub, exposing the other, open hub bearing bore.
 - C. Perform step 4 of this procedure.
 - D. Make sure both bearing cup races are clean and ready for bearing cone and grease seal installation.
6. After both bearing cups have been installed in the brake or idler hub, go to Inner Bearing Cone and Grease Seal Installation procedure.

Inner Bearing Cone and Grease Seal Installation

Bearing grease should be replaced every 36,000 miles or 12 months, whichever comes first.

1. Make sure all old grease has been removed from wheel hub, bearings and axle spindle.
2. Make sure all mating surfaces for new bearing cone and grease seal are clean.
3. Bearings should be packed by machine, if possible, however packing by hand is a viable alternative.

⚠ WARNING

Do not mix lithium, calcium, sodium or barium complex greases. Mixing of these incompatible compounds can create a corrosive and/or toxic chemical with fumes that can result in a serious health risk if exposed to skin or lungs. When converting from one grease to another, make sure all old grease is removed completely prior to applying new grease.

Hand-pack inner bearing cone as follows:

1. If previously removed inner bearing cone is in reusable condition, place a generous amount of grease into the palm of your hand (Fig. 1).

NOTE: Select an appropriate grease that is temperature-rated for the wheel's application. Reference Recommended Wheel Bearing Grease Specifications and Approve Sources - Bearing Grease charts.

NOTE:

- A. If previously removed inner bearing cone cannot be reused, obtain a new inner bearing cone. Refer to the Components pages for part numbers.
- B. Place a generous amount of grease into the palm of your hand (Fig. 1).

Fig. 1



Recommended Wheel Bearing Grease Specifications	
Thickener Type	Lithium Complex
Dropping Point	230°C (446°F) Minimum
Consistency	NLGI No. 2
Additives	EP, Corrosion and Oxidation Inhibitors
Base Oil	Solvent Refined Petroleum Oil
Base Oil Viscosity	@40°C (104°F) 150cSt (695 SUS) Minimum
Viscosity Index	80 Minimum
Pour Point	-10°C (14°F) Minimum

Approved Sources - Bearing Grease	
Mobil Oil	Mobilgrease HP
Exxon/Standard	Ronex MP
Kendall Refining Co.	Kendall L-427
Ashland Oil Co.	Valvoline Val-plex EP Grease
Pennzoil Prod. Co.	Premium Wheel Bearing Grease 707L

NOTE: Select appropriate grease that is temperature-rated for the wheel's application.

1. Press widest end of bearing into the outer edge of the grease pile, forcing grease into the inner area of the bearing between two adjacent rollers (Fig. 1).
2. Repeat this process while turning bearing from roller to roller until all rollers are coated.
3. Apply a light coat of grease into the bearing cup surface (race).
4. Install new grease-packed bearing cone into the cup.

LCI recommends replacing the grease seal whenever bearing packing is required. Install a new grease seal into the hub seal bore, to capture the inner bearing cone, as follows:

1. Place the new grease seal into the seal bore.
 - A. Apply a light film of sealant onto the outer rim of the seal.
 - B. Make sure seal is set square to the hub seal bore before pressing the seal all the way in or the seal may become damaged.
2. Use a clean, hardwood block of wood and hammer to drive the seal into the seal bore (Fig. 2).
 - A. Place the wood block evenly across the seal.
 - B. Hold the wood block firmly in place as you begin to tap the seal squarely into the seal bore with the hammer.
 - C. Continue to tap the seal inward until the seal's outer face is flush to the hub's seal bore face.

Fig. 2



Bearing Lubrication - Oil

Recommended Oil Lube for axle bearings:

Oil designation : SAE 90, SAE 80W-90, SAE 75W-90

Approved Sources - Bearing Lubrication Oil	
Union Oil Co.	Unocal MP Gear Lube
Exxon Co.	Gear Oil GX 80W-90
Mobil Co.	Mobilube SHC 75W-90
Pennzoil Co.	Gear Plus 80W-90 GL-5
	Gear Plus Super 75W-90

The axle bearings are lubricated with a SAE 80-90W hypoid gear oil. Periodically check oil levels as follows:

1. Make sure trailer has been parked for a few minutes to allow oil to cool.
2. Check and refill brake hub oil to the level indicated on the plastic oil cap.
3. To fill brake hub with oil, remove rubber plug or cap plug from the hub's oil cap.
4. Fill oil through the plastic cap until oil level is complete.
5. Insert rubber plug or cap plug into plastic oil cap.

▲ CAUTION

Do not over-tighten plastic oil cap. Over-tightening can damage O-ring, resulting in an oil leak.

A. Tighten oil cap to 25 ft-lbs. Do not over-tighten oil cap or an oil leak may occur.

Refer to the Components pages for part numbers. Refer to Approved Sources - Bearing Lubrication Oil chart for recommended axle bearing lubricants.

Oil Seal

▲ CAUTION

Never install a removed oil seal. Installing a removed oil seal may damage the seal, resulting in an oil leak during normal component operation.

A new two-part oil seal must be installed whenever the brake hub is removed for maintenance. The inside diameter of the two-part seal presses onto the spindle journal, the outside diameter of the seal presses into the brake hub bore.

▲ CAUTION

Make sure the oil seal is properly oriented during part installation. Most oil seals have one side marked "AIR SIDE." This side MUST face outwards and not towards the bearing or component failure will occur.

Make sure when installing a new oil seal the side marked "AIR SIDE" is facing outward, away from the bearing cone.

Periodic Bearing Inspection

A physical bearing inspection should be conducted every 36,000 miles or 12 months, whichever comes first. An inspection of the bearing condition can detect early bearing issues. Upon inspection, bearings should look brand new and can be reassembled and used if in this condition. If discoloration, pitting, corrosion, flat spots or some abnormal condition is observed, the bearing and race should be replaced at the same time. Bearings are available at auto part stores. See Components pages for part numbers.

Spindle Nut Adjustment

The proper method to assemble the spindle nut is as follows:

1. After hub installation onto spindle, install outer bearing.
2. Install spindle washer, if equipped, and thread on spindle nut with slots facing outward.
3. Tighten spindle nut with a pair of slip joint pliers to approx 50 ft-lbs.
4. Back off torque usually 1/4 turn so that you can finger tighten the spindle nut.
5. Finger tighten, drop cotter pin through slot and hole in spindle. If slot in nut does not align with either hole in spindle, back nut off until it does. Never tighten past finger tight. Use cotter pin hole that provides the least amount of end play clearance.
6. Bend legs over end of spindle and be sure legs do not interfere with oil cap upon reassembly.

Disc Brake Option

Disc Brake Pads

Disc brake pads are available through auto part stores. Brake pads are a consumable item so be sure to visually check pads every 36,000 miles or 12 months, whichever comes first. Be sure to also check rotor surfaces visually when you are checking the brake pads. Deep grooves developing on one or both rotor surfaces can indicate a caliper piston, slider bolt or residual pressure problem if this ever occurs. Brake rotors should be turned when disc brake pads are replaced.

Disc Brake Caliper

The proper mounting torque for the disc brake caliper mounting bolts is 40-50 ft-lbs. If these are removed for servicing the brake system, add blue thread locking compound to the threaded area of the bolt at time of reassembly. Also lubricate the inside of caliper bushings that the slider bolts go through. Be sure to only use silicone based grease. The rubber bushings are not compatible with petroleum-based greases.

Electric Brakes

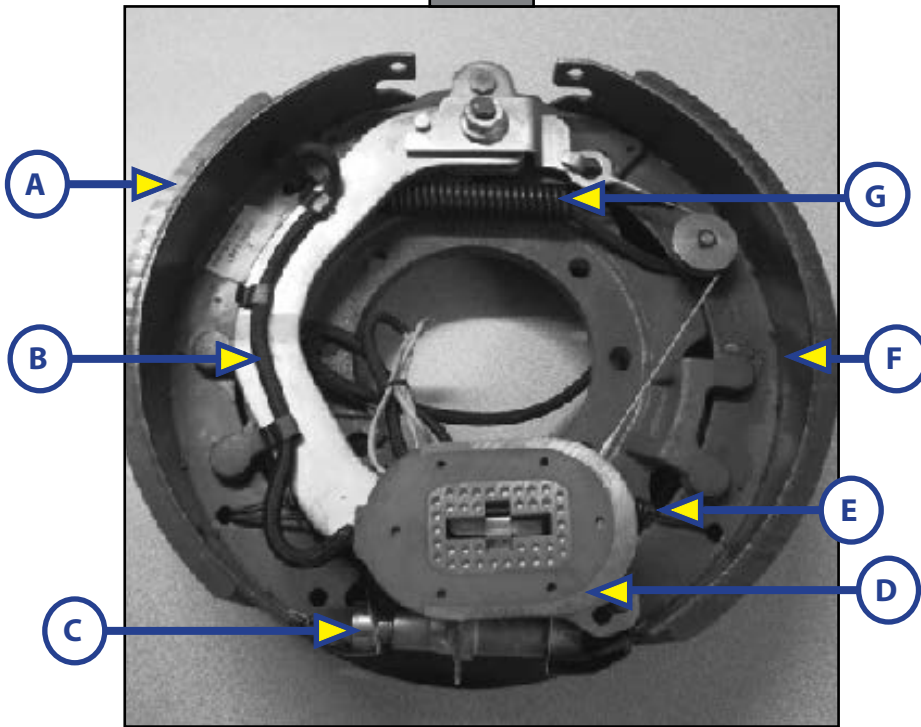
The basic structure of the Electric Brakes on your trailer will resemble the brakes on your car or tow vehicle, with one major difference; your trailer implements an Electric Actuation system and your tow vehicle utilizes a hydraulic system. Refer to the brake components diagram (Fig. 3), the Wiring Diagram (Fig. 13) and Pigtail and Coupler Wiring Color Codes (Fig. 14). The Electric Braking System operates in the following order of steps:

1. Electric current is supplied to the trailer's braking system when the tow vehicle's brakes are applied.
2. From the tow vehicle's battery, the electricity flows to the brake's electromagnet.
3. When energized, the magnets are attracted to the rotating surface of the drums.
4. This moves the actuating levers in the direction the drums are turning.
5. The actuating cam at the end of the shoe forces the primary shoe out to the drum surface.
6. The force of the primary shoe actuates the secondary shoe to contact the drum.
7. The force applied to the brake drum can be increased by elevating the current flow to the magnet.

How to Use Lippert Electric Brakes Properly

The LCI Electric Braking System is synchronized with the tow vehicle's brakes. Never attempt to stop the combined load of the tow vehicle and the trailer by using either the tow vehicle brakes or the trailer brakes only. They are designed to work together.

Fig. 3



Brake Components	
Callout	Description
A	Primary Shoe
B	Actuating Lever
C	Adjuster
D	Magnet
E	Adjusting Spring
F	Secondary Shoe
G	Retracting Spring

Small manual adjustments may occasionally be necessary to accommodate changing loads and driving conditions. Synchronization of the tow vehicle-to-trailer braking can only be accomplished by road testing. Locking up, excessive grab, or delayed application is quite often due to the lack of synchronization between the tow vehicle and the trailer being towed. High voltage (2V+), Low voltage (2V-) or improperly adjusted brakes are the most common causes of these problems and can easily be corrected.

Prior to any adjustments, your trailer brakes should be burnished-in by applying the brakes 20-30 times with a 20 m.p.h. decrease in speed, e.g. 40 m.p.h. to 20 m.p.h. Allow ample time for brakes to cool between application. This allows the brake shoes and magnets to begin seating to the brake drum.

General Maintenance - Electric Brakes

Brake Adjustment

▲ WARNING

Prior to testing or adjusting brakes, be sure area is clear of any persons and vehicles. Failure to perform test in a clear area may result in serious injury or death.

▲ WARNING

Lift the trailer by its frame and never the axle or suspension. Do not go under the trailer unless it is properly supported by jack stands. Unsupported trailers can fall causing serious injury or death.

The LCI Electric Brakes are offered in a manual and automatic adjusting form. If manual brake adjusting is required, do as follows:

1. Jack up trailer and secure on adequate capacity jack stands.
 - A. Follow trailer manufacturer's recommendations for lifting and supporting the trailer.
 - B. Make sure the wheel and drum rotate freely.

1. Remove the adjusting hole cover from the adjusting slot on the bottom of the brake backing plate.
2. With a screwdriver or standard adjusting tool, rotate the starwheel of the adjuster assembly to expand the brake shoes.
 - A. Adjust the brake shoes out until the pressure of the linings against the drum makes the wheel very difficult to turn.
3. Rotate the starwheel in the opposite direction until the wheel turns freely with a slight lining drag, or approximately 10 click adjustments.

NOTE: A second screwdriver will be needed to push the auto adjusting lever away from the adjuster starwheel so that the starwheel can be rotated backward in the case of a self-adjusting brake.

4. Replace the adjusting hole cover and lower the wheel to the ground.
5. Repeat the above procedure on all brakes.

NOTE: For best results, the brakes should all be set at the same clearance. If the first brake's clearance was adjusted to 10 clicks, then adjust the remaining brake clearances to the same amount.

Lubricate Brakes

Prior to reassembling the brake drum assembly, do as follows:

1. Apply a light film of white grease or an anti-seize compound to:
 - A. The brake anchor pin,
 - B. The actuating arm bushing and pin,
 - C. The areas of the backing plate that are in contact with the brake shoes and magnet lever arm,
 - D. And on the actuating block mounted to the actuating arm.

Clean and Inspect Brakes

In the event the braking system encounters symptoms of improper application or failure, immediate inspection and service **MUST** be implemented. During normal use, servicing the braking system once a year is considered normal. Above normal use will require servicing based on a 3,000-6,000 mile increment schedule. Change worn magnets and shoes as needed to maintain maximum braking capability.

When disassembling the brakes for cleaning, make sure to:

1. Clean the backing plate, magnet arm, magnet and shoes.
2. Make sure all parts removed for cleaning are placed back into the same brake drum assembly.
3. Check for parts that have become loose or worn.
 - A. Service or replace loose or worn parts.

Magnets

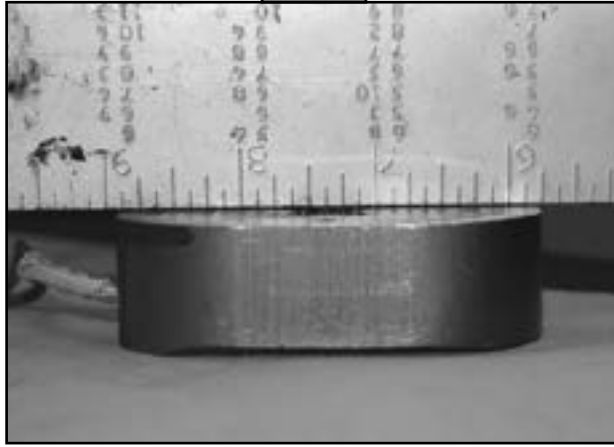
The LCI Electric Braking System uses high-quality electromagnets to actuate the brake shoes. These electromagnets provide superior force and friction to safely, and effectively, stop the trailer. Inspect and service the electromagnets annually if the trailer has seen normal use, more often if the trailer is used extensively. Inspect the electromagnets and do as follows:

1. Use a straight edge to check the electromagnet surface for uneven wear (Fig. 4).

NOTE: Figure 4 shows an electromagnet with little or no wear.

- A. Surface of electromagnet should be completely flat.
 - B. If abnormal or uneven wear is indicated by pronounced gaps, replace the electromagnet.
2. If the magnet's coil is exposed in any way, even if normal wear is evident, the magnets should be replaced immediately.
 - A. If the electromagnets are replaced, the drum armature surface should be refaced.
3. If an electromagnet is replaced on one side of an axle, LCI recommends replacing the electromagnet on the opposite brake assembly. This will ensure an even braking capacity.

Fig. 4



Shoes and Linings

Inspect brake shoes and linings for:

1. Grease or oil.
2. Surface scoring, pitting or gouges.
3. Replace both shoes if lubricant contamination or physical damage is present, even if found on only one shoe.
 - A. Replace both shoes (two) on the brake and on both brakes (four) installed on the same axle. Replace brake parts at the same time. This will ensure an even braking capacity.
4. Measure lining thickness.
 - A. Lining thickness shall not be less than 1/16".
 - I. If lining measures less than 1/16", replace the shoe.
 - II. Repeat step 3.A.
5. Heat cracks are normal and rarely require attention.

After replacing the brake shoes and linings, burnish-in trailer brakes as follows:

1. Apply the brakes 20-30 times over a 20 m.p.h. decreasing speed range.
 - A. For example, brake 20-30 times while decreasing in speed from 40 m.p.h. to 20 m.p.h.
 - B. Make sure ample time is allowed for brakes to cool between application.
 - I. The cooling period allows the brake shoes and magnets to begin seating to the brake drum.

Hub Replacement

To adjust bearings or replace removed hub, follow procedures below:

1. Place hub, bearing, washers and castle nut back on axle spindle in the reverse order from which they were removed. Castle nut should be torqued to 50 ft.-lbs. Hub will rotate during this process.
2. Loosen castle nut to back off the torque.
3. Tighten castle nut finger tight until snug.
4. Insert cotter pin. If cotter pin does not line up with hole, back castle nut up slightly until pin can be inserted (Fig. 5).
5. Bend cotter pin over to lock nut in place. Nut should be free to move with only the cotter pin keeping it in place.

Fig. 5



Axle and Suspension Installation

CAUTION

Always wear eye protection when servicing the axle, brakes, hubs, springs and wheels. Failure to wear eye protection may result in serious injury.

The single most important portion of axle installation is setting the axle(s) square to the center line of the trailer. Axles mounted out of square will cause the trailer to dog track. Dog-tracking is when the axle is not square to the direction of travel. A skewed axle will cause the trailer to swing out to the left or right until the axle becomes square with the direction of travel. When mounting multiple axles to a trailer, take extra care to get the first axle square to the trailer frame. Proper alignment is most readily achieved by measuring from the center of the trailer hitch to the center of each axle spindle. Once the first axle alignment is established, set the remaining axles parallel with the first. Proper installation allows for correct and safe control, prolonged tread life and will all but eliminate dog-tracking.

LCI tubular axles are made of high strength steel to prevent metal fatigue and provide the best possible welding conditions. The round tubular axles allow for even and uniform structure.

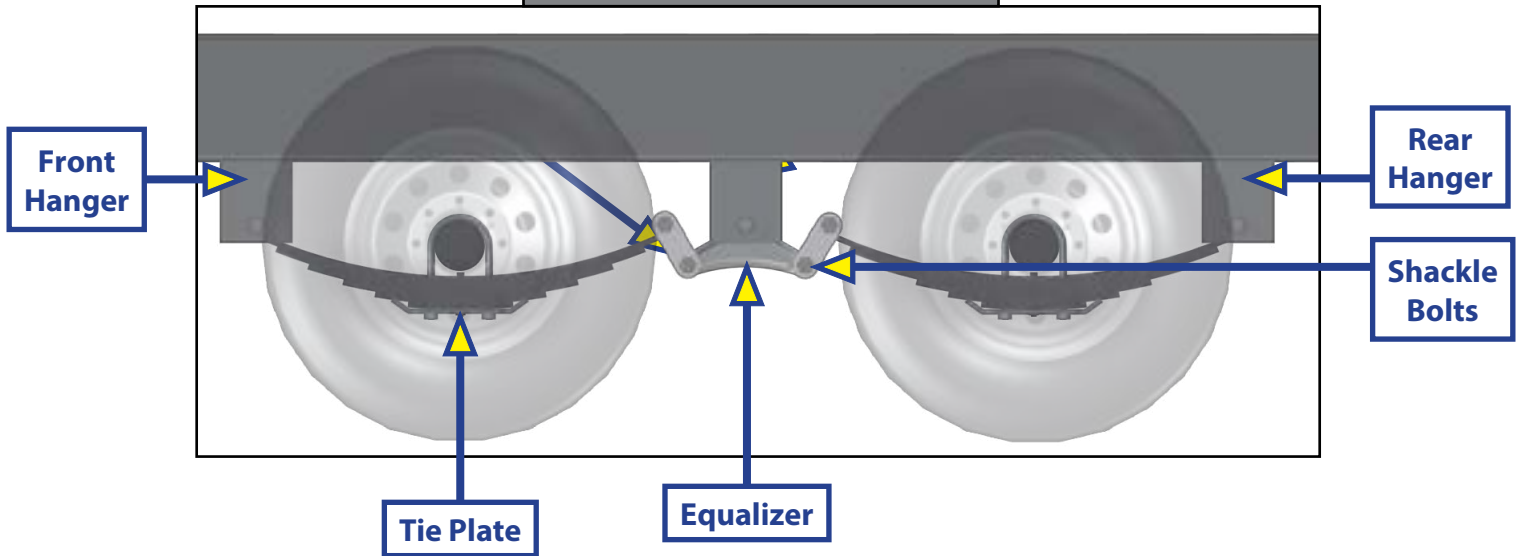
Suspension Systems

The suspension systems incorporated into LCI axles are designed to provide the following benefits:

- Attach the axle to the trailer.
- Dampen the effects of road shock.
- Provide stability to the trailer.

All LCI suspension systems are available in single, tandem and triple axle configurations. For specific or custom applications, please contact the LCI customer service team.

Fig. 6 - Double-Eye Leaf Springs



Double-Eye Leaf Springs

Double-eye leaf springs have eyes at either end of the spring assembly with nylon bushings to assist in preventing wear. U-bolts hold the springs to the axle with a plate (Fig. 6). Refer to Spring Axle Torque Specifications chart for bolt torque requirements.

Spring Axle Torque Specifications		
Bolt Type	Axle Capacity	Torque
3/8" U-Bolt Nuts	2K	35 ft-lbs
1/2" U-Bolt Nuts	3.5K	50 ft-lbs
9/16" U-Bolt Nuts	5.2K	65 ft-lbs
9/16" U-Bolt Nuts	6-8K	90 ft-lbs
Spring Eye, Equalizer and Shackle Nuts	All Double Eye	30-50 ft-lbs
Spring Eye, Equalizer and Shackle Nuts	All Slipper	Snug nut only

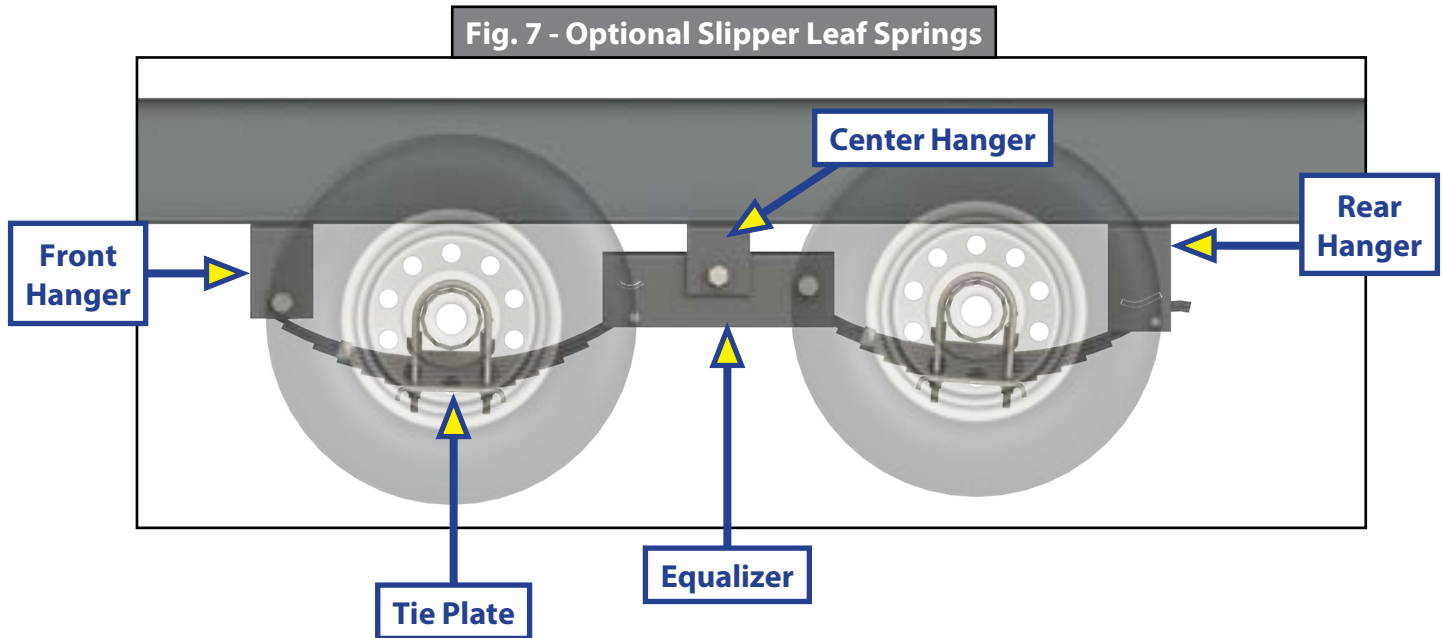
The articulation of this suspension occurs when the eyes rotate on the wear surfaces provided in eyes of the springs and on the equalizers. This suspension is also available in single and multiple axle configurations. In trailers with two or more axles, the additional movement is maintained by an equalizer. This feature allows for even load handling from axle to axle.

Double-eye suspension systems are available only on 8,000 lb. axles. Tandem and triple axle mounting kits are available for both 33" and 35" axle spacing.

Slipper Leaf Springs—Optional

Slipper springs have a loop eye formed on one end and a reverse radius on the other (Fig. 7). The front eye is secured to either the front hanger or rear of the equalizer with a bolt and nut. The slipper end rides against a wear-block located in either the front of the equalizer or the rear hanger. Refer to Spring Axle Torque Specifications chart for bolt torque requirements.

A keeper bolt or strap is placed under the slipper end to contain the spring when the trailer is lifted off the ground. The 3.5-8K tandem and triple axle attaching kits are available for both 33.5" and 36" axle spacing.



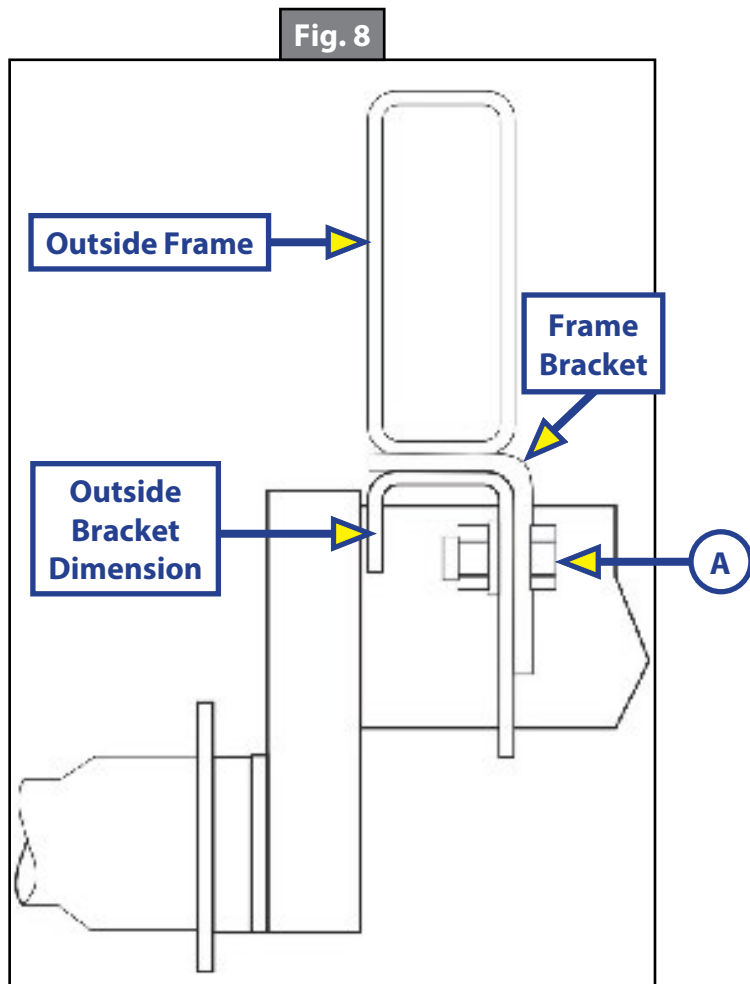
Torsion Suspension System

The LCI Torsion Suspension system is designed to offer superior qualities over leaf spring technology. Bracketed to the trailer's frame, and housed inside the trailer axle's tube, the spindle is connected to a swing arm, which is connected to a square inner bar surrounded by four rubber cords inside the axle tube. As the swing arm rotates, the rubber absorbs and distributes torque and resistance loads generated by driving conditions. These characteristics provide a measurable benefit over leaf spring suspensions. Torsion axles provide independent wheel end suspension, quieter ride and more vertical wheel travel for a softer ride compared to leaf spring axles.

The LCI Torsion Suspension system requires very little maintenance. Normal inspection of the entire LCI Trailer Axle system can be applied to the Torsion Suspension system. See inspection procedures for system components in this manual.

NOTE: For Torsion Suspension System installation, mount axle bracket to frame bracket (Fig. 8) and torque fasteners as specified in the Torsion Axle Torque Specifications chart. Washer(s) **MUST** be placed against the slotted hole in the axle bracket (Fig. 8A). Low profile brackets have plain round holes.

Torsion Axle Torque Specifications		
Axle Size	Bolt Size	Torque Range
2K Axle Capacities	1/2"	70-90 ft-lbs
3.5K-10K Axle Capacities	5/8"	120-150 ft-lbs



Inspection

Inspect all components of the suspension system annually or every 36,000 miles, whichever comes first. Visually inspect the system for signs of wear, damage or loose fasteners. Replace or tighten loose fasteners, as necessary. Torque fasteners in accordance with specifications in tables Spring Axle Torque Specifications and Torsion Axle Torque Specifications.

▲ WARNING

Lift the trailer by its frame and never the axle or suspension. Do not go under the trailer unless it is properly supported by jack stands. Unsupported trailers can fall causing serious personal injury or death.

▲ WARNING

Lift the trailer by its frame and never the axle or suspension. Unsupported trailers can fall causing damage to the frame, axles, suspension system and the trailer. Improper trailer support will void warranty coverage for incurred damages.

▲ WARNING

Wear eye protection when servicing axles, brakes, hubs, springs and wheels. Failure to wear eye protection may result in serious personal injury.

Refer to the Components pages and the appropriate Service Kit Part # (illustrated parts list) for part descriptions and numbers of replacement components. Replace worn spring eye bushings and sagging or broken springs as follows:

1. Support the trailer with the wheels just off the ground. Follow the trailer manufacturer's recommendations for lifting and supporting the trailer.
2. After the trailer is properly supported, place a suitable block under the axle tube near the area to be repaired.

NOTE: The block acts as a support for the weight of the axle only, allowing suspended system components to be serviced or replaced freely. Multiple axle trailers **MUST** have the weight of each axle properly supported before disassembly of any suspension system component.

3. Disassemble the U-bolts, nuts and tie plates.
4. Remove the spring eye bolts and the spring.
5. If the spring eye bushings are to be replaced, press out the old bushing by hand or use a punch to tap it out.
6. Obtain a new free-floating nylon bushing.

NOTE: Free-floating nylon bushings do not require lubrication.

7. Press the new bushing into the spring eye by hand or gently tap it into place with a bounce-less rubber or plastic mallet.
8. Install remaining repaired or new suspension system components in reverse order of their original disassembly sequence.

Equalizer Replacement

Refer to the Components pages and the appropriate Service Kit Part # (illustrated parts list) for part descriptions and numbers of replacement components. Replace equalizer or equalizer bushings as follows:

1. Support the trailer with the wheels just off the ground. Follow the trailer manufacturer's recommendations for lifting and supporting the trailer.
2. After the trailer is properly supported, place a suitable block under both axle tubes.
3. Remove the spring eyebolt, keeper bolt, and equalizer bolt from the equalizer.
4. Press the old nylon bushing out of the equalizer.
5. Install removed equalizer parts in reverse order of their original disassembly sequence.

Suspension Replacement

Install replacement springs and equalizers as follows:

1. Make sure springs are on straight.
 - A. Align spring eyes to front hanger.
 - B. Insert spring eye bolts and nuts, but do not torque fasteners at this point.
2. Assemble springs to equalizer.
3. Level the equalizer to the frame.
 - A. Torque equalizer nuts and spring eye nuts to 30-50 ft.-lbs.

Wheels

Wheel Selection



Air pressure on a weakened or cracked rim can create an unsafe, explosive condition resulting in serious personal injury or death. Do not attempt to modify or repair a wheel. Replace damaged or weakened wheel and rim with new.



Use manufacturer's suggested rim contours only. Failure to use recommended rim contours may result in dramatic separation between tire and wheel, resulting in possible serious personal injury or death.

Trailer wheels, tires and axles **MUST** be properly matched when specifying or replacing trailer wheels. Make sure the following critical wheel replacement characteristics are observed:

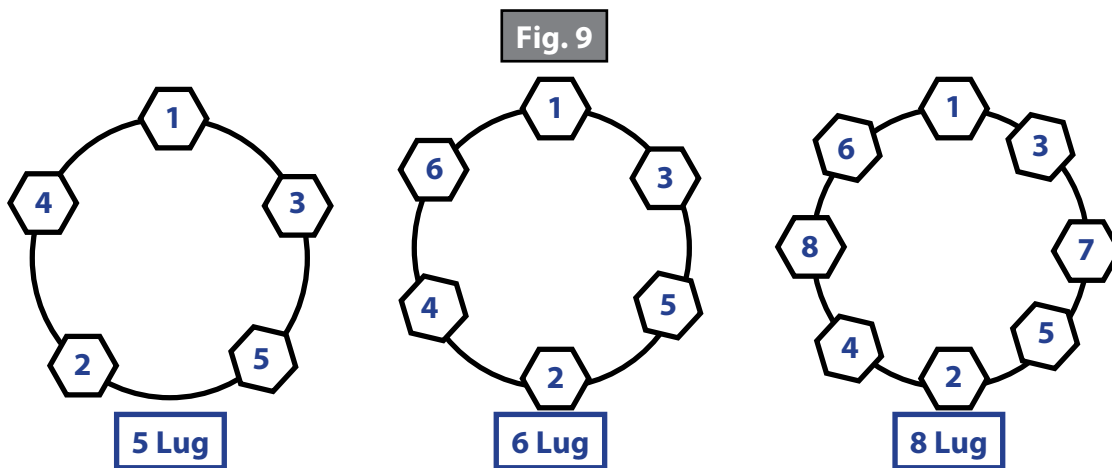
1. Bolt Circle.
 - A. Wheels have varying bolt circle patterns, some close enough to allow installation of mismatched wheel bolt patterns to axle hub bolt patterns.
2. Capacity.
 - A. Wheel load capacity **MUST** match tire and trailer maximum load ratings.
3. Offset.
 - A. The relationship of the tire's centerline to the axle's hub face **MUST** match across replacement parts.
 - B. Failure to match offset reduces axle carrying capacity.
4. Rim Contour.
 - A. Replacement wheels **MUST** directly match the mating rim contour.

Torque Requirements

It is extremely important to maintain proper wheel mounting torque limits on your trailer axle. Use of torque wrenches will ensure proper torque limits are applied to wheel mounting lug nuts. Use no other method to torque wheel lug nuts.

Make sure wheel fasteners match the cone angle of the wheel (usually 60° or 90°) being serviced. Attach new wheel to the axle hub as follows:

1. Start all bolts or nuts by hand to prevent cross-threading.
2. Continue to hand-tighten wheel lug nuts in the sequential pattern shown in Fig. 9.
3. After wheel lug nuts are fully hand-tightened, torque nuts in stages in the sequential pattern shown in Fig. 9.
 - A. Torque wheel lug nuts to the torque values listed in the Wheel Torque Requirement Chart.



Wheel Torque Requirement Chart				
Wheel Size	Stud Size	Torque Sequence		
		1st Stage	2nd Stage	3rd Stage
14"	1/2"	20-25 ft-lbs	50-60 ft-lbs	90-120 ft-lbs
15"	1/2"	20-25 ft-lbs	50-60 ft-lbs	90-120 ft-lbs
16"	1/2"	20-25 ft-lbs	50-60 ft-lbs	90-120 ft-lbs
16.5" x 6.75"	1/2"	20-25 ft-lbs	50-60 ft-lbs	90-120 ft-lbs
16"	9/16"	20-25 ft-lbs	60-70 ft-lbs	120-130 ft-lbs
16.5" x 6.75"	9/16"	20-25 ft-lbs	60-70 ft-lbs	120-130 ft-lbs
16" Dual and 17.5" Cone Nut	5/8"	50-60 ft-lbs	100-120 ft-lbs	190-210 ft-lbs
16" Dual and 17.5" Flange Nut	5/8"	50-60 ft-lbs	150-200 ft-lbs	275-325 ft-lbs
14.5" Demount	1/2"	Tighten sequentially to 85-95 ft-lbs		

▲ WARNING

Proper and accurate torque MUST be maintained to prevent wheels from loosening, studs from cracking and/or breaking or other possible hazardous breakage resulting in serious injury or death.

4. Wheel lug nuts should be torqued before first road use and after each wheel removal.
 - B. Check and re-torque wheel lug nuts after 10, 25 and 50 miles. A periodic check during regular service is recommended.

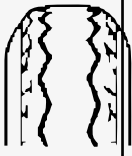
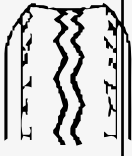

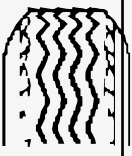


Tires

Prior to mounting tires onto wheels, do as follows:

1. Make sure rim size and contour are approved by the Tire and Rim Association Yearbook or the tire manufacturer's catalog.
2. Verify tire load rating.
 - A. If the load is not evenly distributed across all tires, use the tire rated for the heaviest wheel position.
3. Consult the Rubber Manufacturers Association or the tire manufacturer's guidelines for wheel mounting procedures.

Tire pressure is very important to promoting tire life and performance. Tire pressure should always be in accordance with the manufacturer's recommended pressure rating for any given load. Check tire pressure as follows:

1. Always check tire pressure cold before operation.
2. Do not bleed air from tires when they are hot.

Tire Tread Wear Pattern Chart		
What Is Happening?	Why?	What Should Be Done?
Center Wear 	Over-inflation	Adjust pressure to particular load per tire catalog.
Edge Wear 	Under-inflation	Adjust pressure to particular load per tire catalog.
Side Wear 	Loss of camber or overloading	Make sure load does not exceed axle rating. Call Lippert Service & Warranty to advise.
Toe Wear 	Incorrect Toe-in	Call Lippert Service & Warranty to advise.
Cupping 	Out-of-balance	Check bearing adjustment and balance tires.
Flat Spots 	Wheel lockup and tire skidding	Avoid sudden stop if possible and adjust brakes.

3. Check inflation pressure weekly during use to ensure maximum tire and tread life.
4. Inspect for tire tread wear patterns that may indicate serious wheel alignment or excessive load limit issues. Refer to the Tire Tread Wear Pattern Chart.

NOTE: Tire wear should be checked frequently. Once a tire wear pattern is established, stopping becomes difficult, even when the underlying cause is corrected.

Introduction to Troubleshooting

The following section is a guideline for ensuring operation of your braking system. The safety of you, those traveling with you and those sharing the road is paramount and it starts with the ability to safely stop the tow vehicle and the towed vehicle.

Troubleshooting

Most brake malfunctions can be corrected by utilizing the Troubleshooting Chart. Mechanical failure is the most common form of malfunction, however, if the brake system fails and it's not mechanical, it is usually electrical. A Voltmeter and Ammeter are essential tools to diagnosing these problems.

Mechanical problems are mostly self-evident; something is bent or broken. Consult the Troubleshooting Chart to determine the probable cause and corrective actions for a variety of issues with the braking system.

Remember to use only LCI replacement parts on these systems. Consult the Limited Warranty or call our Service Department for any other related issues.

Troubleshooting Chart

NOTE: If all trailer lights and brakes do not work, check your wiring plug connection (Wiring Diagram, Fig. 13). Make sure the ball is making solid contact with the coupler (that is how a trailer is grounded). Too much grease or not using dielectric grease on the ball and coupler can cause this to happen.

Measuring Voltage

The Braking System voltage is measured at the two lead wires of the magnet on any brake. Use the pin probes inserted through the insulation of the lead wires. To ensure that the battery is indicating a full charge, the towing vehicle engine should be running with the trailer coupler connected when checking the voltage.

Voltage in the system should begin at 0 volts and, as the brake pedal of the tow vehicle is applied, voltage will gradually increase to about 12 volts. If the system does not indicate at least 12 volts, problems may occur in the wiring of the system, the battery or alternator of the tow vehicle.

When the brakes are applied, a gradual increase in voltage is preferable to a quick increase to 12 volts. A gradual increase in voltage ensures smooth and firm trailer braking. A quick increase in voltage will cause the braking system to feel like the trailer is grabbing too quickly.

Taking a voltage reading is usually done with probes inserted into the wire connector (Fig. 10).

Measuring Amperage

Braking System amperage is the amount of current flowing through the system when all magnets have been energized. Amperage will change proportionately with voltage. To ensure the battery is fully charged, the tow vehicle engine should be running with the trailer coupler connected when checking the voltage.

If a resistor is used in the brake system, it **MUST** be set at zero or bypassed completely to obtain the maximum amperage reading. Individual amperage draw can be measured by inserting the ammeter in the line at the magnet you want to check. Disconnect one of the magnet lead wire connectors and attach the ammeter between the two wires. Consult Amperage Chart for normal amp readings.

Fig.10



Troubleshooting Chart		
What Is Happening?	Why?	What Should Be Done?
No brakes	Open circuits	Find and correct
	Short circuits	Test and correct
	Severe under-adjustment	Adjust brakes
Weak brakes	Grease or oil on magnets or linings	Clean or replace
	Corroded connections	Clean and correct cause of corrosion
	Worn linings or magnets	Replace
	Scored or grooved brake drums	Machine or replace
	Improper synchronization	Correct
	Under-adjustment	Adjust brakes
	Glazed Linings	Re-burnish or replace
Locking brakes	Under-adjustment	Adjust
	Improper synchronization	Correct
	Loose, bent or broken brake components	Test and correct
	Out-of-round brake drums	Machine or replace
	Insufficient wheel load	Adjust system resistor and synchronize
Intermittent brakes	Broken wires	Test and correct
	Loose connections	Repair or replace
	Faulty ground	Find and repair
Brakes pull to one side	Wrong magnet lead wire color	Adjust
	Incorrect adjustment	Correct
	Grease or oil on linings or magnets	Clean or replace
	Broken wires	Find and repair
	Bad connections	Find and repair
Harsh brakes	Under-adjustment	Adjust
	Improper synchronization	Correct
Noisy brakes	Under-adjustment	Adjust
	Lack of lubrication	Lubricate
	Broken component	Replace component
	Incorrect brake components	Correct
Surging brakes	Grease or oil on linings or magnets	Clean or replace
	Out-of-round or cracked brake drums	Machine or replace
Dragging brakes	Over-adjustment	Readjust
	Out-of-round brake drums	Machine or replace
	Incorrect brake components	Replace
	Loose, bent or broken brake components	Replace
	Faulty breakaway switch	Repair or replace
	Loose wheel bearing adjustment	Adjust
	Bent spindle	Replace Axle

Fig. 11



Fig. 12



Make sure that the wires are properly reconnected and sealed after testing is completed.

Testing for amperage can be done with probes (Fig. 11) or alligator clips on the leads or an amp clamp (Fig. 12).

Amperage Chart

Amperage Chart			
Amps/Magnet	Two Brakes	Four Brakes	Six Brakes
3.0	6.0	12.0	18.0

Low or no voltage are the most common problems with the Braking System. Amperage at the brakes is also a relatively common issue. Common causes of these conditions are:

1. Low quality electrical connections.
2. Open circuits.
3. Insufficient wire gauge. (Reference Trailer Wire Gauge chart.)
4. Broken wires.
5. Blown fuses (fusing of brakes is not recommended).
6. Short circuits (indicated by high amperage).

Trailer Wire Gauge Chart		
Wire Gauge and Type	Number of Axles	Length of Run
16 Ga Stranded Copper	1	N/A
14 Ga Stranded Copper	2	Under 30ft. (9.1m) from hitch to center of axles
12 Ga Stranded Copper	2 or 3	Over 30ft. (9.1m) from hitch to center of axles

Possible causes of shorts are:

1. Shorted magnet coils.
2. Bare wires contacting a grounded object.

Finding the cause of a short circuit in the system is done by isolating one section at a time. If the high amperage reading drops to zero by unplugging the trailer, then the short is in the trailer. If the amperage reading remains high with all the brake magnets disconnected, the short is in the trailer wiring.

All electrical troubleshooting procedures should start at the controller. Most complaints regarding brake harshness or malfunction are traceable to improperly adjusted or nonfunctional controllers. See your controller manufacturer's data for proper adjustment and testing procedures. For best results, all the connection points in the brake wiring should be sealed to prevent corrosion. Loose or corroded connectors will cause an increase in resistance which reduces the voltage available for the brake magnets.

Maintenance Schedule

Item	Function Required	3,000 Miles	12 Months / 36,000 Miles (Whichever comes first)
Brakes	Test that they are operational.	At Every Use	
Oil Level	Check oil level in hubs, if equipped.	At Every Use	
Brake Adjustment	Adjust to proper operating clearance. Not required for self-adjusting brakes.	◆	
Brake Magnets	Inspect for wear and current draw.		◆
Brake Linings and Pads	Inspect for wear or contamination.		◆
Hub/Drum and Rotors	Inspect for abnormal wear or scoring.		◆
Wheel Bearing	Inspect for corrosion or wear. Clean and repack.		◆
Seals	Inspect for leakage. Replace if removed.		◆
Springs	Inspect for wear, loss of arch.		◆
Suspension Parts	Inspect for bending, loose fasteners, wear.		◆
U-bolts	Tighten to specified torque values		◆

Wiring Diagram

Fig. 1

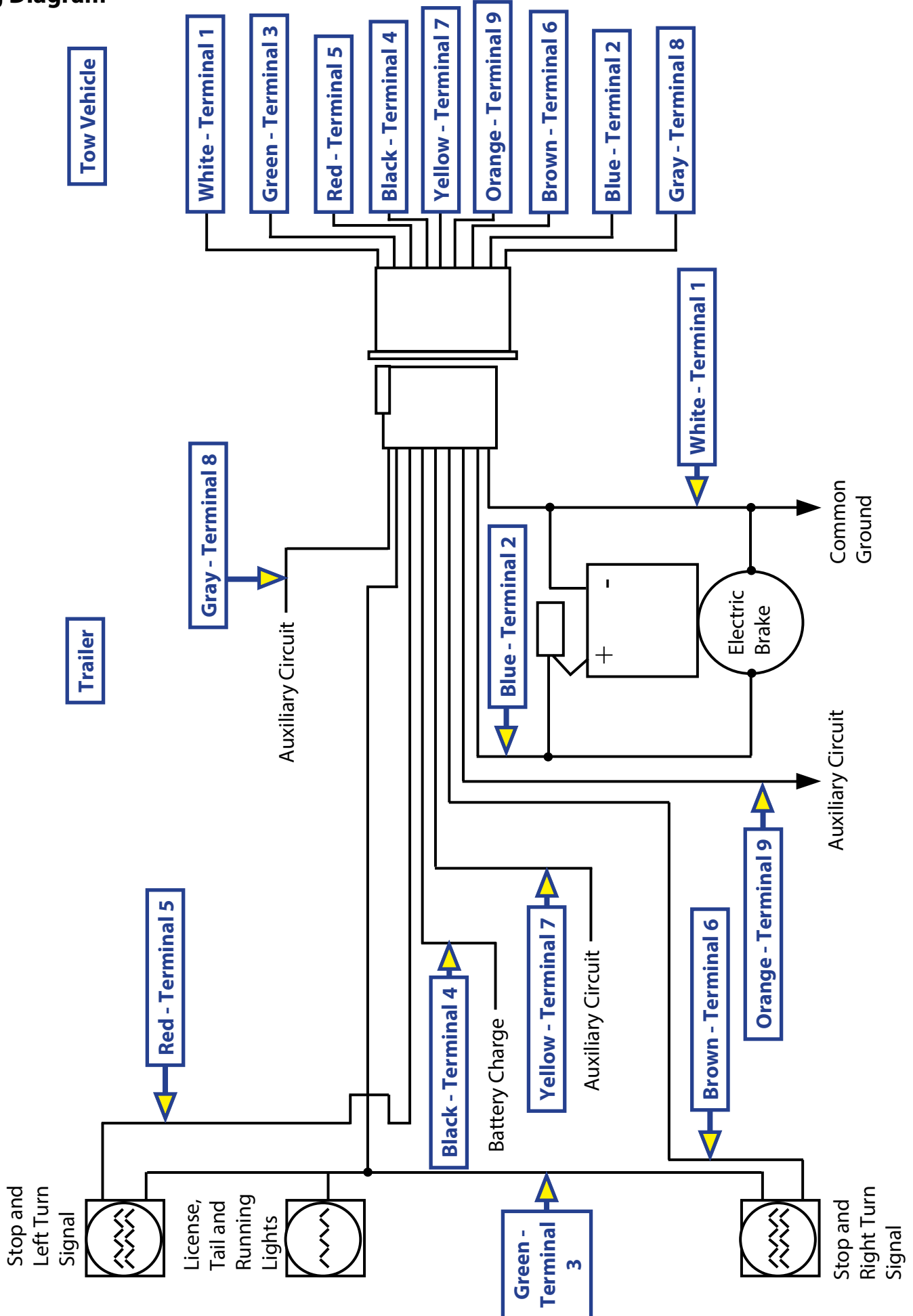
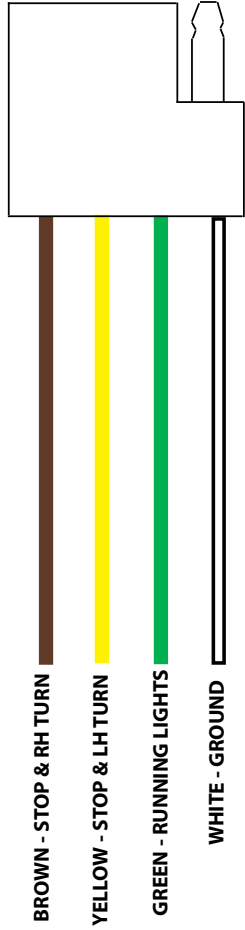
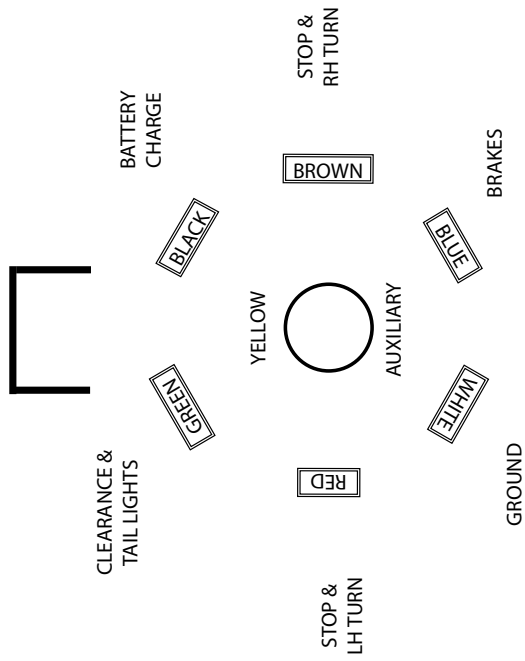


Fig. 1

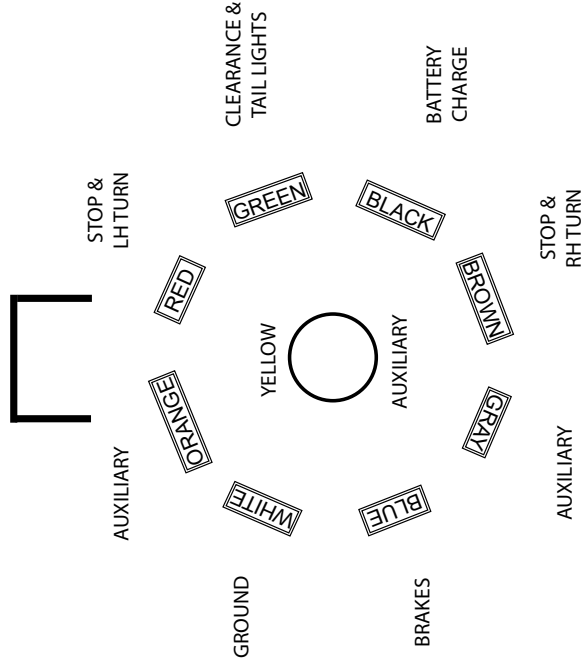


TRAILER LIGHTS PIGTAIL - DOES NOT OPERATE BRAKES

7-PIN COUPLER



9-PIN COUPLER



TRAILER BRAKE AND LIGHT COUPLER - OPERATES BRAKES

Storage

Storage Preparation

If your trailer is to be stored for an extended period of time, the trailer will need to be prepared prior to going into storage. Follow these guidelines to set up your trailer for storage:

1. If the trailer has an emergency breakaway battery, remove it and store it inside, out of the weather. Charge the battery at least every 90 days.
2. Jack up the trailer and place jack stands under the trailer frame so that the weight will be off the tires. Follow trailer manufacturer's guidelines to lift and support the trailer.
3. Lubricate mechanical moving parts such as the hitch, and suspension parts, that are exposed to the weather.
4. In the case of boat trailer axles that are subject to repeated immersion, remove brake drums; clean, dry and re-lubricate moving brake components; inspect bearings - clean and re-lubricate.



Lift the trailer by its frame and never the axle or suspension. Do not go under the trailer unless it is properly supported by jack stands. Unsupported trailers can fall causing death or serious injury.

Extended Storage Inspection Procedures

Trailer should remain on jack stands during this procedure:

1. Remove all wheels and hubs or brake drums. Reinstall drum to same spindle and brake from which it was removed.
2. Inspect suspension for wear.
3. Check tightness of hanger bolt, shackle bolt, and U-bolt nuts of the suspension for correct torque.
4. Check brake linings, brake drums and armature faces for excessive wear, scoring, damage or corrosion.
5. Check brake magnets with an ohmmeter. The magnets should check 3.2 ohms. If shorted or worn excessively, they must be replaced.
6. Lubricate all brake moving parts using a high temperature brake lubricant.
7. Remove any rust from braking surface and armature surface of drums with fine emery paper or crocus cloth. Be sure to protect bearings from contaminating dust.
8. Inspect oil or grease seals for wear or nicks. Replace if necessary. Using the [Trip Preparation Checklist](#) before starting a trip with your trailer is highly recommended. Allow plenty of time prior to any trip for any service or repairs that may need to be done before using the trailer.
9. Lubricate hub bearings.
10. Reinstall hubs and adjust bearings.
11. Mount and tighten wheels.

NOTE: Avoid getting any grease or oil on brake linings and pads or magnet surfaces.

Trip Preparation Checklist

The following checklist offers several guidelines to prolonging the quality of your running gear and will provide trustworthy and safe trailering for years to come.

Using the following checklist before starting a trip with your trailer is highly recommended. Allow plenty of time prior to any trip for any service or repairs that may need to be done before using the trailer.

1. Maintenance schedule should be current.
2. Inspect hitch for corrosion, lubrication and wear.
3. Inspect safety chains for rust and wear. Engage chains and breakaway switch actuating chain securely. Breakaway battery should be fully charged.
4. Electronic coupler must be secure. Run check on all lights and brake engagement and synchronization. Refer to Figures 13 and 14.
5. Load trailer with 10% of total weight on the hitch end of trailer. Smaller trailers' front end load should be increased to 15%.
6. Do not overload. Consult your trailers i.d. plate for gross vehicle weight restrictions.
7. Tires should be inflated to manufacturer's specifications. Inspect tires for any damage or wear.
8. Inspect lug nuts/bolts. All should be torqued to specifications. Refer to Wheel Torque Requirement Chart for torque limits.
9. Check torque of hanger bolt, shackle bolt, and U-bolt nuts on suspension.
10. Check that your trailer is towing level. Adjust hitch height if necessary to level trailer.

TRAILER AXLES 8K-16K

AXLES AND SUSPENSION

Introduction

Combining years of experience in the trailer frame and recreational vehicle industry with the newest and most innovative technology, Lippert Components, Inc. (LCI) introduces the Axle and Running Gear Division.

The following publication is designed to give the customer an easy-to-understand operation and service manual to provide useful and important information. The quality of the Lippert name and the finest materials utilized in the production of the Axles and Running Gear provide you with hubs, brakes, drums and spindles that make trailering and braking the finest in the industry.

Quality comes threefold at LCI:

1. The finest quality materials.
2. The latest technology and design.
3. The quality standards maintained from materials to final assembly.

All three points provide the customer with the best product they can possibly buy and the satisfaction of knowing they can trust the equipment on which they have spent their hard-earned money. LCI thanks you for purchasing our Axles and Running Gear. When you speak of LCI, our quality stands beside you.

Safety Information

WARNING

The “WARNING” symbol is a sign that precedes a service, maintenance or operational procedure containing a possible personal safety risk that could result in serious injury or death if stated safety precautions and procedural steps are not followed as set forth in this manual.

WARNING

Performing service, repair or routine maintenance work can cause personal injury or death. Use personal protective equipment (PPE) whenever performing service work or routine maintenance. Make sure work space is clean and free of slip or trip hazards.

Always wear eye protection when performing service or maintenance to the vehicle. Other safety equipment to consider would be hearing protection, gloves and possibly a full face shield, depending on the nature of the service.

This manual provides general service and maintenance procedures. Many variables can change the circumstances of the service procedure, e.g., the degree of difficulty involved in the service operation and the ability level of the individual performing the operation.

This manual cannot begin to plot out procedures for every possibility, but will provide the general instructions for effectively servicing the vehicle. In the event the skill level required is too high or the procedure too difficult, a certified technician should be consulted before performing the necessary service. Failure to correctly service the vehicle may result in voiding the warranty, inflicting injury or even death. The owner's manual for your trailer may have more procedures for service and maintenance.

Break-In Period For Electric Drum Brakes

NOTE: Brakes should be manually adjusted after the first 200 miles of operation, then periodically every 3,000 miles.

The break-in period is a typical phenomenon with drum brakes and especially electric drum brakes. Electric drum brakes will require a break-in period to achieve full performance. This break-in period applies for new axles and any time new brake shoes and/or magnets are installed as part of regular maintenance. LCI has found through extensive brake testing that the break-in period for our drum brakes can range from 20 to 50 brake applications.

Brakes can be seated in by applying approximately 8-10 volts to the trailer brakes at an initial speed of 40 mph and allowing the truck/trailer combination to slow down to 20 or 25 mph. For best results do not use truck brakes during this procedure. The trailer brakes will seat in faster by using them to stop both the truck and trailer. The easiest method is to apply the trailer brakes using the manual activation lever located on the in-cab brake controller.

Care **MUST** be taken to not overheat the lining material, therefore brake applications conducted at one mile intervals will suffice. The driver should feel a noticeable difference in the brake performance during this period, sometimes in as few as 10 applications. After 50 applications, the brake lining material will be fully cured from the heat and develop close to 100% contact with the brake drum surface.

This break-in period not only seats the shoe lining material but also seats in the brake electromagnets. During the break-in period, the linings will wear at a faster rate than they do after they are seated in.

Trailer Axle Brake Inspections

In general, based on normal activity, trailer brakes should be checked annually or every 36,000 miles, whichever comes first. If above normal trailer activity is experienced, then more frequent brake component inspections are recommended. In the event the braking system encounters symptoms of improper application or failure, immediate inspection and service **MUST** be performed.

Recommended Component Inspection Periods

- Periodic Bearing Inspection - Should be performed annually or every 36,000 miles, whichever comes first.
- Bearing Lubrication Inspection - Should be performed annually unless periodic brake inspections reveal abnormal braking performance.
- Brake Cleaning and Inspection - Should be performed annually or every 36,000 miles, whichever comes first.

Hubs/Drums/Bearing

NOTE: A small amount of residual grease on the outside of a new brake hub is normal. Simply wipe the residual grease off of the brake hub. However, it is not normal for a hub to continue to weep grease after its initial installation. Excess grease can coat brake pads, magnets and braking surfaces inside of the hub, resulting in diminished braking capability. Have the brakes checked by a qualified service provider.

Brake Hub Removal

▲ WARNING

Always lift the trailer by its frame and never by its axle or suspension. Axle and suspension components are not designed, or rated, for the dead weight, point-of-contact loads that the trailer's frame is. Do not go under the trailer unless it is supported by appropriately rated jack stands. Improperly supported trailers can collapse, causing possible serious personal injury or death.

▲ WARNING

Wear appropriate personal protective equipment (PPE) when performing service or maintenance operations. Always wear eye protection when servicing trailer axles, brakes, hubs, springs and wheels. Not using PPE may result in serious personal injury or death.

Disassemble the brake hub assembly for inspection, maintenance or service as follows:

1. Make sure trailer is on level ground.
2. Chock tires before beginning wheel disassembly.
 - A. Chocked tires will prevent trailer from rolling while brakes are disengaged during disassembly, cleaning, inspection and assembly operations.
3. Loosen wheel lug nuts before raising the trailer to prevent tire from spinning during lug nut removal.
4. After lug nuts have been loosened, raise the trailer until the tire spins freely.
 - A. Continue to lift and support trailer per manufacturer's requirements.
 - I. Use appropriately rated jack stands.
 - II. Place jack stands under the trailer's frame only.
5. Remove all lug nuts from wheel, then remove wheel from brake hub.
 - A. Set wheel and lug nuts aside for later re-assembly.
 - B. Do not lean removed tire against trailer or any jacks. Leaning a heavy tire against a suspended trailer could cause damage to the outside of the trailer or place undue side pressure against a jack, possibly causing the trailer to become unstable.
6. Prior to brake hub disassembly, create a clean area to place removed parts to prevent possible contamination or damage to removed parts.

7. Remove dust cover from hub by prying its edge out of the hub.
 - A. If servicing a brake drum, remove the lubed dust cap with the installed lubed rubber plug.
 - B. If servicing an idler hub, remove the non-lubed dust cap.
 - C. If brake or idler hub assembly is equipped with oil lubrication, place a drip pan underneath the hub.
 - I. Unscrew oil cap using a 2 1/2" socket wrench.
 - II. Let oil drain into drip pan.
8. Remove the grease cap by prying the edge out of the hub. If equipped with oil lubrication, unscrew oil cap using a 1 1/2" socket for 8K, 2 1/4" socket for 10K or a 2 5/8" socket for 12K and 16K. Let oil drain into pan.
9. Pull cotter pin from spindle (castle) nut and discard.
 - A. The cotter pin is a one-time-use item. Do not re-install removed cotter pin.
10. Remove the spindle nut.

NOTE: Remaining grease on components can act as a mastic. Inspect removed spindle nut for attached spindle washer.
11. If spindle washer did not come off with the spindle nut, inspect the outer bearing. Grease may have allowed the washer to stick to it.
 - A. Remove spindle washer.
12. Pull brake or idler hub off of spindle as follows:
 - A. Make sure brakes have been disengaged.
 - B. To prevent outer bearing cone falling freely from the assembly, place one hand on the backside outer rim of the hub and the other hand over the outside of the hub bore to cover the bearing cone.
 - C. Slightly turn the hub while pulling to free the hub from the spindle.
 - I. The outer bearing cone will want to drop out of the hub. Secure the bearing and place it in the clean, removed part area.
 - II. The inner bearing cone and cup remains installed within the hub, contained by the grease seal, and will not fall out.
 - D. Remove the grease seal from hub bore as follows:
 - I. Set the brake or idler hub aside on a clean, solid surface with the outer bearing cup side facing down.
 - II. Use a seal puller or equivalent to remove grease seal from hub.
 - a. Do not re-install removed seal.
 - b. Discard removed seal.

Clean Brake Drum

Older brake linings may contain asbestos dust, which has been linked to serious or fatal illnesses. Certain precautions **MUST** be taken when servicing brakes:



Potential asbestos dust hazard. Do not use compressed air, a dry brush or dry rag to remove brake dust. Disturbed brake dust can become an airborne irritant that can be inhaled or ingested, causing serious personal illness or death. Wear appropriate personal protective equipment (PPE). Use aerosol brake cleaner to wash brake dust away.

Prior to brake drum inspection, clean the brake drum to remove any brake dust or lubricant film.

1. Avoid creating or breathing any brake dust.
2. Do not machine, file or grind brake linings.
3. Use an aerosol brake cleaner to wash away brake dust.
4. Place a drip pan underneath the brake drum to catch the brake cleaner for proper disposal.

5. Completely wash the entire brake drum, including the backing plate, magnet arm and brake shoes.
6. Inspect brake drum, braking components and backing plate for any remaining pockets of oil, grease or dust.
7. Repeat brake washing step if necessary.
8. Proceed with brake drum inspection.

Brake Drum Inspection

The brake shoes contact the drum's inner surface and the brake magnet contacts the armature. These surfaces are subject to wear and should be inspected periodically.



Resurfacing procedures can produce metal chips and brake dust that can contaminate the wheel bearings and cause component failure. Make sure that the wheel bearing cavities are clean and free of contamination before reinstalling bearings and seals.

1. The drum's inner surface should be re-machined if wear is more than 0.030" or out of round by more than 0.015".
2. The drum should be replaced if scoring or wear is greater than 0.090".

NOTE: If the brake drum must be re-machined, the maximum allowable re-bore inner diameter for the 12.25" drum is 12.340". If the size of the machined bore diameter exceeds that dimension, a new brake drum **MUST** be used.

The inner surface of the brake drum that contacts the brake magnet is the armature surface.

1. If the armature surface is scored or worn unevenly, it should not be machined more than 0.030".
 - A. The magnets should be replaced whenever the armature surface is refaced.
 - B. Similarly, whenever the brake magnet is replaced, the armature surface should be refaced.

Disc Brake Rotor and Pad Inspection

Disc brake pads are a consumable item. Visually inspect disc brake pads every 36,000 miles or 12 months, whichever comes first. Disc brake rotor and brake pad surfaces should be visually checked at the same time. If there are deep grooves on one or both rotor surfaces this is an indication of caliper piston, slider bolt or residual pressure problems. Disc brake rotors should be turned when disc brake pads are replaced. Disc brake pads are available through auto parts stores.

Disc Brake Caliper

If the disc brake caliper mounting bolts are removed to service the brake system, do as follows:

1. Lubricate the inside of the rubber slider bolt caliper bushings.
 - A. The rubber bushings are not compatible with petroleum-based grease.
 - B. Use silicone-based grease only.
2. Apply blue thread locking compound to the threaded area of the caliper mounting bolts.
3. Install caliper mounting bolts. Torque caliper mounting bolts to 40-50 ft-lbs.

Bearing Inspection - Inner and Outer

An inspection of the bearing condition can detect early bearing issues. Upon inspection, bearings should look brand new and can be reassembled and used if in this condition.

NOTE: Bearing cones and cups are not interchangeable after installation. Each bearing **MUST** always be matched with its mating cup. Bearing cones and cups are replaced in matching sets of one cone and one cup.

▲ WARNING

Wear personal protective equipment (PPE) when using caustic materials. Aerosol, liquid and oil-based paste materials can present splash hazards and skin contact environments that can result in serious adverse eye and skin irritations. Follow all recommended safety precautions when using such materials.

1. Wash all grease and oil from the bearing cones using a suitable solvent.
2. Dry bearing cones with a clean, lint-free cloth.
3. Inspect bearing cone cages and rollers for any pitting, spalling, corrosion, flat spots, abnormal condition or discoloration.
 - A. If any of these imperfections are present, then the bearing cone and cup (race) **MUST** be replaced at the same time.
 - B. Bearings are available at auto part stores.
 - I. See Components pages for part numbers.
4. To remove a bearing cup (race) for replacement from the brake hub, go to [Bearing Cup Inspection and Removal](#) procedure.

Bearing Cup Inspection and Removal

▲ WARNING

Wear appropriate personal protective equipment (PPE) when performing service or maintenance operations. Always wear eye protection when servicing trailer axles, brakes, hubs, springs and wheels. Not using PPE may result in serious personal injury or death.

Clean brake or idler hub in accordance with [Clean Brake Drum](#) procedure and as follows:

1. Wipe all grease and oil from the hub, using care not to scratch or otherwise mar the bearing race.
2. Apply brake cleaner to hub.
3. Use lint-free cloths to dry the hub and bearing cups.
4. Inspect bearing cups (raceways) for pitting, spalling, corrosion, flat spots, abnormal condition or discoloration.
 - A. If the bearing cup (race) is in good condition, and its mating bearing cone is in reusable condition, the cup can remain installed in the hub for reuse.
 - B. If the bearing cup (race) is in good condition, but the bearing cone is not, the cup **MUST** be replaced.
 - C. If the bearing cup (race) is damaged, the cup **MUST** be replaced.

Replace damaged bearing cups (race) as follows:

1. For either inner or outer bearing cup, use a brass drift punch and hammer to lightly tap around the cup's exposed bearing race edge to push it out.
 - A. Move the drift punch evenly around the bearing cup edge to make sure the cup is pushed out evenly to prevent binding or damage to the bearing cup or hub bore.
2. Set the removed bearing cup aside and place it with its mating bearing cone.

NOTE: Removed bearing cones and cups are not interchangeable.

NOTE: Used bearing cone and cup sets must remain matched and re-installed as a matched set until the set is replaced with a new matching set.

3. After removal of the bearing cups from the hub, re-apply brake cleaner to the hub and the hub bearing cup bores to make sure all surfaces are properly prepared for component reassembly.
 - A. Make sure a drip pan is placed underneath the hub to capture and dispose of the cleaner.

Brake/Idler Hub Installation

Install the brake or idler hub onto the brake drum or spindle as follows:

1. Obtain appropriate hub for installation.
2. Inspect hub for cleanliness.
3. If both bearing cups are installed in the hub bearing bores, go to the Inner Bearing Cone and Grease Seal Installation procedure.
4. If either one of the bearing cups is not installed in the hub, do as follows:
 - A. Place hub on a solid, flat surface with installed bearing cup side of the hub facing down.
 - B. Obtain the appropriate bearing cup for installation. Refer to the Components pages for part numbers.



Bearing cup replacement is a precise procedure. When installed, the bearing cup MUST be fully seated against the retaining shoulder of the hub. If the cup is not seated correctly, damage to the completed hub assembly may occur, voiding warranty.

- C. Bearing cup replacement is a precise procedure. Consult LCI prior to replacing a bearing cup. The trailer should be taken to a certified service center for this work to be done.
- D. Gently place new bearing cup into hub bearing bore.
- E. Using a brass drift punch, lightly tap around the outer edge of the cup to drive it into the hub bearing bore.
 - I. Continue tapping the drift punch around the circumference of the cup's edge until the cup is fully seated against the hub's bearing bore retaining shoulder.
- F. Wipe the inside of the bearing cup (race) with a clean, lint-free cloth.
 - I. Inspect the bearing cup race to make sure no damage occurred during installation.
5. If no bearing cups are installed in the hub, do as follows:
 - A. Perform step 4 of this procedure.
 - B. Flip hub, exposing the other, open hub bearing bore.
 - C. Perform step 4 of this procedure.
 - D. Make sure both bearing cup races are clean and ready for bearing cone and grease seal installation.
6. After both bearing cups have been installed in the brake or idler hub, go to Inner Bearing Cone and Grease Seal Installation procedure.

Inner Bearing Cone and Grease Seal Installation

Bearing grease should be replaced every 36,000 miles or 12 months, whichever comes first.

1. Make sure all old grease has been removed from wheel hub, bearings and axle spindle.
2. Make sure all mating surfaces for new bearing cone and grease seal are clean.
3. Bearings should be packed by machine, if possible, however packing by hand is a viable alternative.

▲ WARNING

Do not mix lithium, calcium, sodium or barium complex greases. Mixing of these incompatible compounds can create a corrosive and/or toxic chemical with fumes that can result in a serious health risk if exposed to skin or lungs. When converting from one grease to another, make sure all old grease is removed completely prior to applying new grease.

Hand-pack inner bearing cone as follows:

1. If previously removed inner bearing cone is in reusable condition, place a generous amount of grease into the palm of your hand (Fig. 1).

NOTE: Select an appropriate grease that is temperature-rated for the wheel's application. Reference Recommended Wheel Bearing Grease Specifications and Approve Sources - Bearing Grease charts.

- A. If previously removed inner bearing cone cannot be reused, obtain a new inner bearing cone. Refer to the Components pages for part numbers.
- B. Place a generous amount of grease into the palm of your hand (Fig. 1).

Fig. 1



Recommended Wheel Bearing Grease Specifications	
Thickener Type	Lithium Complex
Dropping Point	230°C (446°F) Minimum
Consistency	NLGI No. 2
Additives	EP, Corrosion and Oxidation Inhibitors
Base Oil	Solvent Refined Petroleum Oil
Base Oil Viscosity	@40°C (104°F) 150cSt (695 SUS) Minimum
Viscosity Index	80 Minimum
Pour Point	-10°C (14°F) Minimum

Approved Sources - Bearing Grease	
Mobil Oil	Mobilgrease HP
Exxon/Standard	Ronex MP
Kendall Refining Co.	Kendall L-427
Ashland Oil Co.	Valvoline Val-plex EP Grease
Pennzoil Prod. Co.	Premium Wheel Bearing Grease 707L

NOTE: Select appropriate grease that is temperature-rated for the wheel's application.

2. Press widest end of bearing into the outer edge of the grease pile, forcing grease into the inner area of the bearing between two adjacent rollers (Fig. 1).
3. Repeat this process while turning bearing from roller to roller until all rollers are coated.
4. Apply a light coat of grease into the bearing cup surface (race).
5. Install new grease-packed bearing cone into the cup.

LCI recommends replacing the grease seal whenever bearing packing is required. Install a new grease seal into the hub seal bore, to capture the inner bearing cone, as follows:

1. Place the new grease seal into the seal bore.
 - A. Apply a light film of sealant onto the outer rim of the seal.
 - B. Make sure seal is set square to the hub seal bore before pressing the seal all the way in or the seal may become damaged.
2. Use a clean, hardwood block of wood and hammer to drive the seal into the seal bore (Fig. 2).
 - A. Place the wood block evenly across the seal.
 - B. Hold the wood block firmly in place as you begin to tap the seal squarely into the seal bore with the hammer.
 - C. Continue to tap the seal inward until the seal's outer face is flush to the hub's seal bore face.

Fig. 2



Bearing Lubrication - Oil

Recommended Oil Lube for axle bearings:

Oil designation : SAE 90, SAE 80W-90, SAE 75W-90

Approved Sources - Bearing Lubrication Oil	
Union Oil Co.	Unocal MP Gear Lube
Exxon Co.	Gear Oil GX 80W-90
Mobil Co.	Mobilube SHC 75W-90
Pennzoil Co.	Gear Plus 80W-90 GL-5
	Gear Plus Super 75W-90

The axle bearings are lubricated with a SAE 80-90W hypoid gear oil. Periodically check oil levels as follows:

1. Make sure trailer has been parked for a few minutes to allow oil to cool.
2. Check and refill brake hub oil to the level indicated on the plastic oil cap.
3. To fill brake hub with oil, remove rubber plug or cap plug from the hub's oil cap.
4. Fill oil through the plastic cap until oil level is complete.
5. Insert rubber plug or cap plug into plastic oil cap.

▲ CAUTION

Do not overtighten plastic oil cap. Overtightening can damage O-ring, resulting in an oil leak.

- A. Tighten oil cap to 25 ft-lbs. Do not overtighten oil cap or an oil leak may occur. Refer to the Components pages for part numbers. Refer to Approved Sources - Bearing Lubrication Oil chart for recommended axle bearing lubricants.

Oil Seal

▲ CAUTION

Never install a removed oil seal. Installing a removed oil seal may damage the seal, resulting in an oil leak during normal component operation.

A new two-part oil seal must be installed whenever the brake hub is removed for maintenance. The inside diameter of the two-part seal presses onto the spindle journal, the outside diameter of the seal presses into the brake hub bore.

▲ CAUTION

Make sure the oil seal is properly oriented during part installation. Most oil seals have one side marked "AIR SIDE." This side MUST face outwards and not towards the bearing or component failure will occur.

Make sure when installing a new oil seal the side marked "AIR SIDE" is facing outward, away from the bearing cone.

Periodic Bearing Inspection

A physical bearing inspection should be conducted every 36,000 miles or 12 months, whichever comes first. An inspection of the bearing condition can detect early bearing issues. Upon inspection, bearings should look brand new and can be reassembled and used if in this condition. If discoloration, pitting, corrosion, flat spots or some abnormal condition is observed, the bearing and race should be replaced at the same time. Bearings are available at auto part stores. See Components pages for part numbers.

Spindle Nut Adjustment

The proper method to assemble the spindle nut is as follows:

1. After hub installation onto spindle, install outer bearing.
2. Install spindle washer, if equipped, and thread on spindle nut with slots facing outward.
3. Tighten spindle nut with a pair of slip joint pliers to approx 50 ft-lbs.
4. Back off torque usually 1/4 turn so that you can finger tighten the spindle nut.
5. Finger tighten, drop cotter pin through slot and hole in spindle. If slot in nut does not align with either hole in spindle, back nut off until it does. Never tighten past finger tight. Use cotter pin hole that provides the least amount of end play clearance.
6. Bend legs over end of spindle and be sure legs do not interfere with oil cap upon reassembly.

Disc Brake Option

Disc Brake Pads

Disc brake pads are available through auto part stores. Brake pads are a consumable item so be sure to visually check pads every 36,000 miles or 12 months, whichever comes first. Be sure to also check rotor surfaces visually when you are checking the brake pads. Deep grooves developing on one or both rotor surfaces can indicate a caliper piston, slider bolt or residual pressure problem if this ever occurs. Brake rotors should be turned when disc brake pads are replaced.

Disc Brake Caliper

The proper mounting torque for the disc brake caliper mounting bolts is 40-50 ft-lbs. If these are removed for servicing the brake system, add blue thread locking compound to the threaded area of the bolt at time of reassembly. Also lubricate the inside of caliper bushings that the slider bolts go through. Be sure to only use silicone based grease. The rubber bushings are not compatible with petroleum-based greases.

Electric Brakes

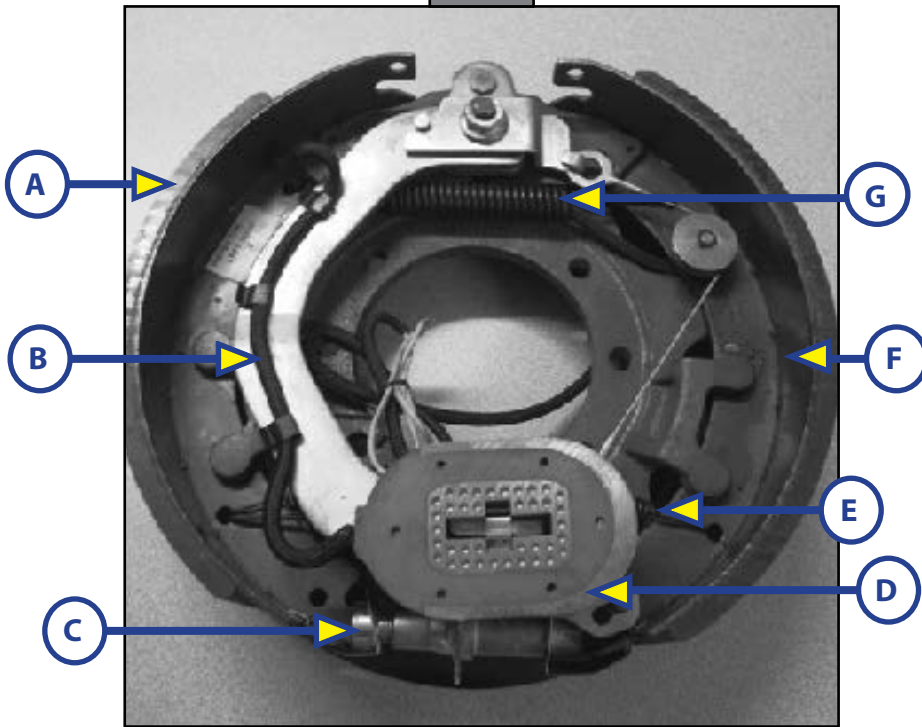
The basic structure of the Electric Brakes on your trailer will resemble the brakes on your car or tow vehicle, with one major difference; your trailer implements an Electric Actuation system and your tow vehicle utilizes a hydraulic system. Refer to the brake components diagram (Fig. 3), the Wiring Diagram (Fig. 13) and Pigtail and Coupler Wiring Color Codes (Fig. 14). The Electric Braking System operates in the following order of steps:

1. Electric current is supplied to the trailer's braking system when the tow vehicle's brakes are applied.
2. From the tow vehicle's battery, the electricity flows to the brake's electromagnet.
3. When energized, the magnets are attracted to the rotating surface of the drums.
4. This moves the actuating levers in the direction the drums are turning.
5. The actuating cam at the end of the shoe forces the primary shoe out to the drum surface.
6. The force of the primary shoe actuates the secondary shoe to contact the drum.
7. The force applied to the brake drum can be increased by elevating the current flow to the magnet.

How to Use Lippert Electric Brakes Properly

The LCI Electric Braking System is synchronized with the tow vehicle's brakes. Never attempt to stop the combined load of the tow vehicle and the trailer by using either the tow vehicle brakes or the trailer brakes only. They are designed to work together.

Fig. 3



Brake Components	
Callout	Description
A	Primary Shoe
B	Actuating Lever
C	Adjuster
D	Magnet
E	Adjusting Spring
F	Secondary Shoe
G	Retracting Spring

Small manual adjustments may occasionally be necessary to accommodate changing loads and driving conditions. Synchronization of the tow vehicle-to-trailer braking can only be accomplished by road testing. Locking up, excessive grab, or delayed application is quite often due to the lack of synchronization between the tow vehicle and the trailer being towed. High voltage (2V+), Low voltage (2V-) or improperly adjusted brakes are the most common causes of these problems and can easily be corrected.

Prior to any adjustments, your trailer brakes should be burnished-in by applying the brakes 20-30 times with a 20 m.p.h. decrease in speed, e.g. 40 m.p.h. to 20 m.p.h. Allow ample time for brakes to cool between application. This allows the brake shoes and magnets to begin seating to the brake drum.

General Maintenance - Electric Brakes

Brake Adjustment

▲ WARNING

Prior to testing or adjusting brakes, be sure area is clear of any persons and vehicles. Failure to perform test in a clear area may result in serious injury or death.

▲ WARNING

Lift the trailer by its frame and never the axle or suspension. Do not go under the trailer unless it is properly supported by jack stands. Unsupported trailers can fall causing serious injury or death.

The LCI Electric Brakes are offered in a manual and automatic adjusting form. If manual brake adjusting is required, do as follows:

1. Jack up trailer and secure on adequate capacity jack stands.
 - A. Follow trailer manufacturer's recommendations for lifting and supporting the trailer.
 - B. Make sure the wheel and drum rotate freely.

2. Remove the adjusting hole cover from the adjusting slot on the bottom of the brake backing plate.
3. With a screwdriver or standard adjusting tool, rotate the starwheel of the adjuster assembly to expand the brake shoes.
 - C. Adjust the brake shoes out until the pressure of the linings against the drum makes the wheel very difficult to turn.
4. Rotate the starwheel in the opposite direction until the wheel turns freely with a slight lining drag, or approximately 10 click adjustments.

NOTE: A second screwdriver will be needed to push the auto adjusting lever away from the adjuster starwheel so that the starwheel can be rotated backward in the case of a self-adjusting brake.

5. Replace the adjusting hole cover and lower the wheel to the ground.
6. Repeat the above procedure on all brakes.

NOTE: For best results, the brakes should all be set at the same clearance. If the first brake's clearance was adjusted to 10 clicks, then adjust the remaining brake clearances to the same amount.

Lubricate Brakes

Prior to reassembling the brake drum assembly, do as follows:

1. Apply a light film of white grease or an anti-seize compound to:
 - A. The brake anchor pin,
 - B. The actuating arm bushing and pin,
 - C. The areas of the backing plate that are in contact with the brake shoes and magnet lever arm,
 - D. And on the actuating block mounted to the actuating arm.

Clean and Inspect Brakes

In the event the braking system encounters symptoms of improper application or failure, immediate inspection and service **MUST** be implemented. During normal use, servicing the braking system once a year is considered normal. Above normal use will require servicing based on a 3,000-6,000 mile increment schedule. Change worn magnets and shoes as needed to maintain maximum braking capability.

When disassembling the brakes for cleaning, make sure to:

1. Clean the backing plate, magnet arm, magnet and shoes.
2. Make sure all parts removed for cleaning are placed back into the same brake drum assembly.
3. Check for parts that have become loose or worn.
 - A. Service or replace loose or worn parts.

Magnets

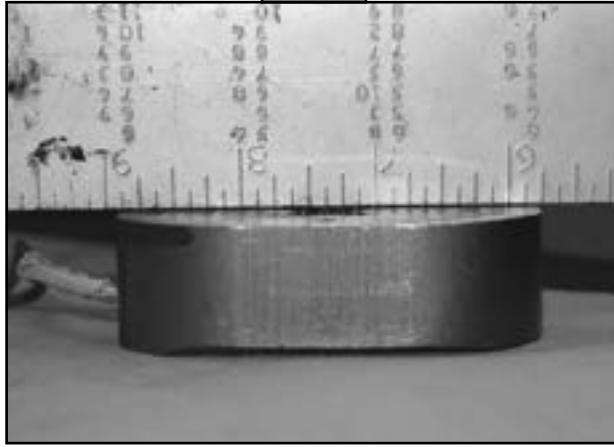
The LCI Electric Braking System uses high-quality electromagnets to actuate the brake shoes. These electromagnets provide superior force and friction to safely, and effectively, stop the trailer. Inspect and service the electromagnets annually if the trailer has seen normal use, more often if the trailer is used extensively. Inspect the electromagnets and do as follows:

1. Use a straight edge to check the electromagnet surface for uneven wear (Fig. 4).

NOTE: Figure 4 shows an electromagnet with little or no wear.

- A. Surface of electromagnet should be completely flat.
 - B. If abnormal or uneven wear is indicated by pronounced gaps, replace the electromagnet.
2. If the magnet's coil is exposed in any way, even if normal wear is evident, the magnets should be replaced immediately.
 - A. If the electromagnets are replaced, the drum armature surface should be refaced.
3. If an electromagnet is replaced on one side of an axle, LCI recommends replacing the electromagnet on the opposite brake assembly. This will ensure an even braking capacity.

Fig. 4



Shoes and Linings

Inspect brake shoes and linings for:

1. Grease or oil.
2. Surface scoring, pitting or gouges.
3. Replace both shoes if lubricant contamination or physical damage is present, even if found on only one shoe.
 - A. Replace both shoes (two) on the brake and on both brakes (four) installed on the same axle. Replace brake parts at the same time. This will ensure an even braking capacity.
4. Measure lining thickness.
 - A. Lining thickness shall not be less than 1/16".
 - I. If lining measures less than 1/16", replace the shoe.
 - II. Repeat step 3.A.
5. Heat cracks are normal and rarely require attention.

After replacing the brake shoes and linings, burnish-in trailer brakes as follows:

1. Apply the brakes 20-30 times over a 20 m.p.h. decreasing speed range.
 - A. For example, brake 20-30 times while decreasing in speed from 40 m.p.h. to 20 m.p.h.
 - B. Make sure ample time is allowed for brakes to cool between application.
 - I. The cooling period allows the brake shoes and magnets to begin seating to the brake drum.

Hub Replacement

To adjust bearings or replace removed hub, follow procedures below:

1. Place hub, bearing, washers and castle nut back on axle spindle in the reverse order from which they were removed. Castle nut should be torqued to 50 ft.-lbs. Hub will rotate during this process.
2. Loosen castle nut to back off the torque.
3. Tighten castle nut finger tight until snug.
4. Insert cotter pin. If cotter pin does not line up with hole, back castle nut up slightly until pin can be inserted (Fig. 5).
5. Bend cotter pin over to lock nut in place. Nut should be free to move with only the cotter pin keeping it in place.

Fig. 5



Axle and Suspension Installation

CAUTION

Always wear eye protection when servicing the axle, brakes, hubs, springs and wheels. Failure to wear eye protection may result in serious injury.

The single most important portion of axle installation is setting the axle(s) square to the center line of the trailer. Axles mounted out of square will cause the trailer to dog track. Dog-tracking is when the axle is not square to the direction of travel. A skewed axle will cause the trailer to swing out to the left or right until the axle becomes square with the direction of travel.

When mounting multiple axles to a trailer, take extra care to get the first axle square to the trailer frame. Proper alignment is most readily achieved by measuring from the center of the trailer hitch to the center of each axle spindle. Once the first axle alignment is established, set the remaining axles parallel with the first. Proper installation allows for correct and safe control, prolonged tread life and will all but eliminate dog-tracking.

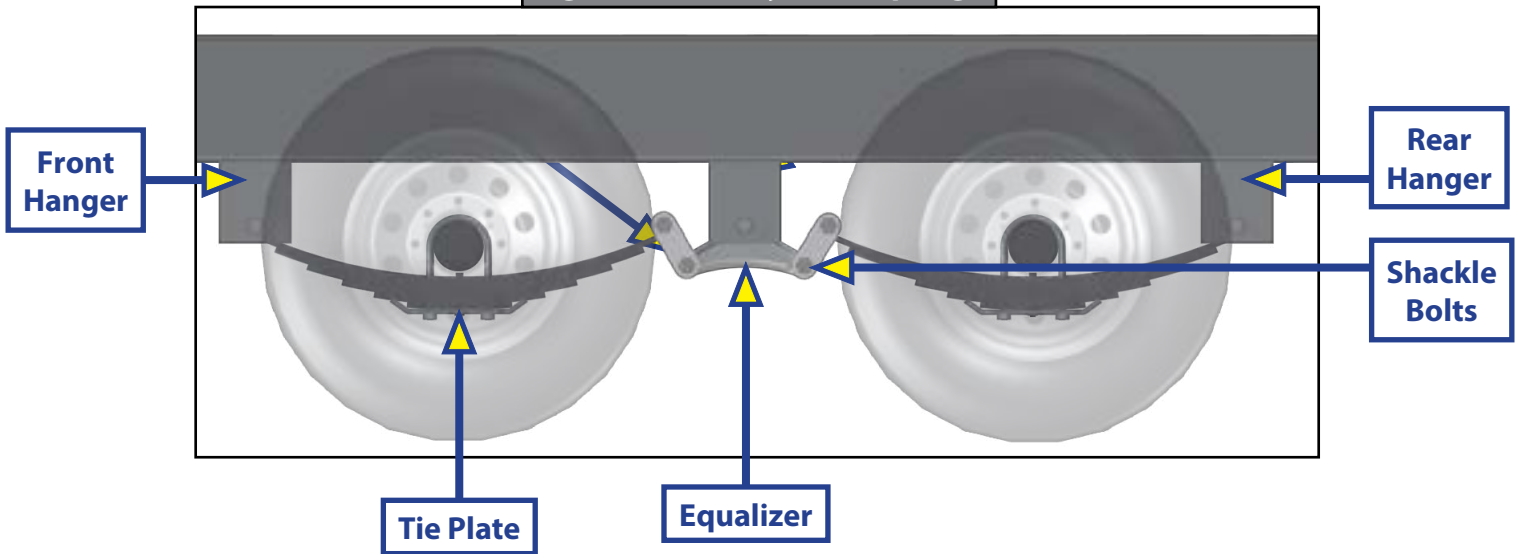
LCI tubular axles are made of high strength steel to prevent metal fatigue and provide the best possible welding conditions. The round tubular axles allow for even and uniform structure.

Suspension Systems

The suspension systems incorporated into LCI axles are designed to provide the following benefits:

- Attach the axle to the trailer.
- Dampen the effects of road shock.
- Provide stability to the trailer.
- All LCI suspension systems are available in single, tandem and triple axle configurations. For specific or custom applications, please contact the LCI customer service team.

Fig. 6 - Double-Eye Leaf Springs



Double-Eye Leaf Springs

Double-eye leaf springs have eyes at either end of the spring assembly with nylon bushings to assist in preventing wear. U-bolts hold the springs to the axle with a plate (Fig. 6). Refer to Spring Axle Torque Specifications chart for bolt torque requirements.

Spring Axle Torque Specifications		
Bolt Type	Axle Capacity	Torque
9/16" U-Bolt Nuts	8K	90 ft-lbs
5/8" U-Bolt Nuts	10K	95 ft-lbs
5/8" U-Bolt Nuts	12K-16K	115 ft-lbs
Spring Eye, Equalizer and Shackle Nuts	8K Double Eye	30-50 ft-lbs
Spring Eye, Equalizer and Shackle Nuts	8K Slipper	Snug nut only
Spring Eye Nut	10K-16K Slipper	200 ft-lbs
Equalizer Nut	10K-16K Slipper	300 ft-lbs
Keeper Nut	10K-16K Slipper	Snug nut only

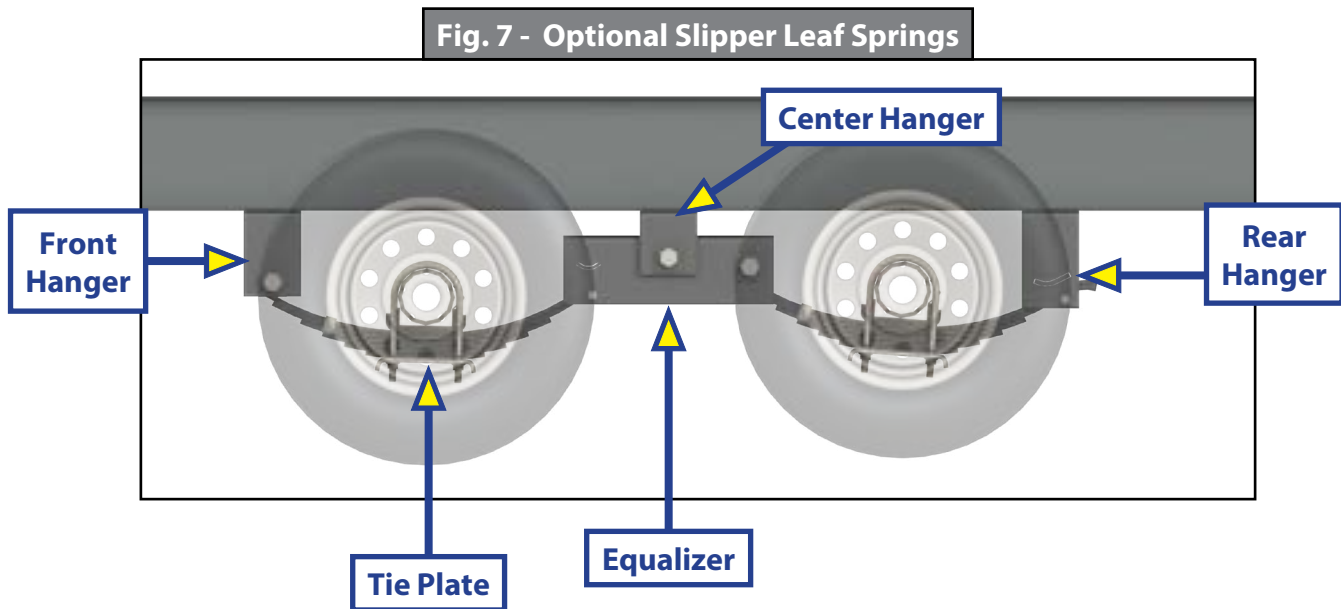
The articulation of this suspension occurs when the eyes rotate on the wear surfaces provided in eyes of the springs and on the equalizers. This suspension is also available in single and multiple axle configurations. In trailers with two or more axles, the additional movement is maintained by an equalizer. This feature allows for even load handling from axle to axle.

Double-eye suspension systems are available only on 8,000 lb. axles. Tandem and triple axle mounting kits are available for both 33" and 35" axle spacing.

Slipper Leaf Springs—Optional

Slipper springs have a loop eye formed on one end and a reverse radius on the other (Fig. 7). The front eye is secured to either the front hanger or rear of the equalizer with a bolt and nut. The slipper end rides against a wear-block located in either the front of the equalizer or the rear hanger. Refer to Spring Axle Torque Specifications chart for bolt torque requirements.

A keeper bolt or strap is placed under the slipper end to contain the spring when the trailer is lifted off the ground. 8K tandem and triple axle attaching kits are available for both 33.5" and 36" axle spacing. 10K, 12K and 16K tandem and triple axle kits are available for 42.25" or 48.5" axle spacing.



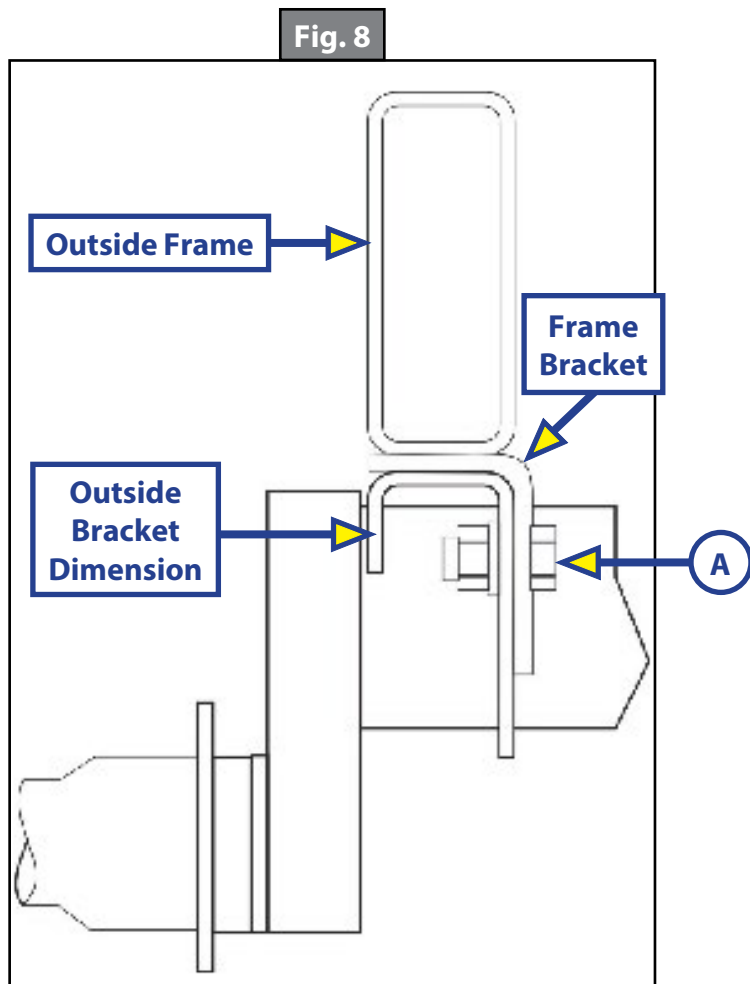
Torsion Suspension System

The LCI Torsion Suspension system is designed to offer superior qualities over leaf spring technology. Bracketed to the trailer's frame, and housed inside the trailer axle's tube, the spindle is connected to a swing arm, which is connected to a square inner bar surrounded by four rubber cords inside the axle tube. As the swing arm rotates, the rubber absorbs and distributes torque and resistance loads generated by driving conditions. These characteristics provide a measurable benefit over leaf spring suspensions. Torsion axles provide independent wheel end suspension, quieter ride and more vertical wheel travel for a softer ride compared to leaf spring axles.

The LCI Torsion Suspension system requires very little maintenance. Normal inspection of the entire LCI Trailer Axle system can be applied to the Torsion Suspension system. See inspection procedures for system components in this manual.

NOTE: For Torsion Suspension System installation, mount axle bracket to frame bracket (Fig. 8) and torque fasteners as specified in the Torsion Axle Torque Specifications chart. Washer(s) **MUST** be placed against the slotted hole in the axle bracket (Fig. 8A). Low profile brackets have plain round holes.

Torsion Axle Torque Specifications		
Axle Size	Bolt Size	Torque Range
8K-10K Axle Capacities	5/8"	120-150 ft-lbs



Inspection

Inspect all components of the suspension system annually or every 36,000 miles, whichever comes first. Visually inspect the system for signs of wear, damage or loose fasteners. Replace or tighten loose fasteners, as necessary. Torque fasteners in accordance with specifications in tables Spring Axle Torque Specifications and Torsion Axle Torque Specifications.

▲ WARNING

Lift the trailer by its frame and never the axle or suspension. Do not go under the trailer unless it is properly supported by jack stands. Unsupported trailers can fall causing serious personal injury or death.

▲ WARNING

Lift the trailer by its frame and never the axle or suspension. Unsupported trailers can fall causing damage to the frame, axles, suspension system and the trailer. Improper trailer support will void warranty coverage for incurred damages.

▲ WARNING

Wear eye protection when servicing axles, brakes, hubs, springs and wheels. Failure to wear eye protection may result in serious personal injury.

Refer to the Components pages and the appropriate Service Kit Part # (illustrated parts list) for part descriptions and numbers of replacement components. Replace worn spring eye bushings and sagging or broken springs as follows:

1. Support the trailer with the wheels just off the ground. Follow the trailer manufacturer's recommendations for lifting and supporting the trailer.
2. After the trailer is properly supported, place a suitable block under the axle tube near the area to be repaired.

NOTE: The block acts as a support for the weight of the axle only, allowing suspended system components to be serviced or replaced freely. Multiple axle trailers **MUST** have the weight of each axle properly supported before disassembly of any suspension system component.

3. Disassemble the U-bolts, nuts and tie plates.
4. Remove the spring eye bolts and the spring.
5. If the spring eye bushings are to be replaced, press out the old bushing by hand or use a punch to tap it out.
6. Obtain a new free-floating nylon bushing.

NOTE: Free-floating nylon bushings do not require lubrication.

7. Press the new bushing into the spring eye by hand or gently tap it into place with a bounce-less rubber or plastic mallet.
8. Install remaining repaired or new suspension system components in reverse order of their original disassembly sequence.

Equalizer Replacement

Refer to the Components pages and the appropriate Service Kit Part # (illustrated parts list) for part descriptions and numbers of replacement components. Replace equalizer or equalizer bushings as follows:

1. Support the trailer with the wheels just off the ground. Follow the trailer manufacturer's recommendations for lifting and supporting the trailer.
2. After the trailer is properly supported, place a suitable block under both axle tubes.
3. Remove the spring eyebolt, keeper bolt, and equalizer bolt from the equalizer.
4. Press the old nylon bushing out of the equalizer.
5. Install removed equalizer parts in reverse order of their original disassembly sequence.

Suspension Replacement

Install replacement springs and equalizers as follows:

1. Make sure springs are on straight.
 - A. Align spring eyes to front hanger.
 - B. Insert spring eye bolts and nuts, but do not torque fasteners at this point.
2. Assemble springs to equalizer.
3. Level the equalizer to the frame.
 - A. Torque equalizer nuts and spring eye nuts to 30-50 ft.-lbs.

Adjustable Spring Seats

LCI 10K axles have one adjustable spring seat, the other is fixed. This arrangement allows for squaring the axles to the gooseneck coupler. The procedure for this adjustment is contained in Lippert's Technical Information document [TI-152](#). You may view or download this document at: <http://www.lci1.com/support-spring-axles/>. Once on the site's web page, click on the Technical Information Sheets tab. From the displayed listing, double click on *TI - 152: Adjustable Spring Seat* to open the document.

Wheels

Wheel Selection

▲ WARNING

Air pressure on a weakened or cracked rim can create an unsafe, explosive condition resulting in serious personal injury or death. Do not attempt to modify or repair a wheel. Replace damaged or weakened wheel and rim with new.

▲ WARNING

Use manufacturer's suggested rim contours only. Failure to use recommended rim contours may result in dramatic separation between tire and wheel, resulting in possible serious personal injury or death.

Trailer wheels, tires and axles **MUST** be properly matched when specifying or replacing trailer wheels. Make sure the following critical wheel replacement characteristics are observed:

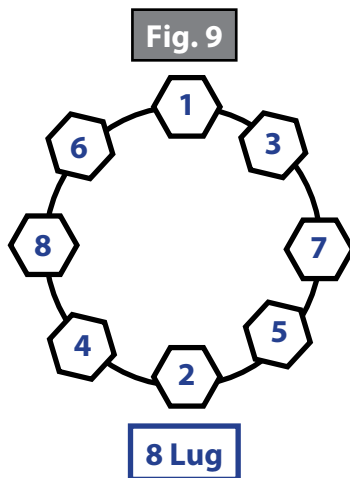
1. Bolt Circle.
 - A. Wheels have varying bolt circle patterns, some close enough to allow installation of mismatched wheel bolt patterns to axle hub bolt patterns.
2. Capacity.
 - A. Wheel load capacity **MUST** match tire and trailer maximum load ratings.
3. Offset.
 - A. The relationship of the tire's centerline to the axle's hub face **MUST** match across replacement parts.
 - B. Failure to match offset reduces axle carrying capacity.
4. Rim Contour.
 - A. Replacement wheels **MUST** directly match the mating rim contour.

Torque Requirements

It is extremely important to maintain proper wheel mounting torque limits on your trailer axle. Use of torque wrenches will ensure proper torque limits are applied to wheel mounting lug nuts. Use no other method to torque wheel lug nuts.

Make sure wheel fasteners match the cone angle of the wheel (usually 60° or 90°) being serviced. Attach new wheel to the axle hub as follows:

1. Start all bolts or nuts by hand to prevent cross-threading.
2. Continue to hand-tighten wheel lug nuts in the sequential pattern shown in Fig. 9.
3. After wheel lug nuts are fully hand-tightened, torque nuts in stages in the sequential pattern shown in Fig. 9.
 - A. Torque wheel lug nuts to the torque values listed in the Wheel Torque Requirement Chart.



Wheel Torque Requirement Chart				
Wheel Size	Stud Size	Torque Sequence		
		1st Stage	2nd Stage	3rd Stage
16" Dual and 17.5" Cone Nut	5/8"	50-60 ft-lbs	100-120 ft-lbs	190-210 ft-lbs
16" Dual and 17.5" Flange Nut	5/8"	50-60 ft-lbs	150-200 ft-lbs	275-325 ft-lbs
17.5" Dual Flange Nut	M22	50-100 ft-lbs	250-300 ft-lbs	450-500 ft-lbs

⚠ WARNING

Proper and accurate torque MUST be maintained to prevent wheels from loosening, studs from cracking and/or breaking or other possible hazardous breakage resulting in serious injury or death.

4. Wheel lug nuts should be torqued before first road use and after each wheel removal.
 - A. Check and re-torque wheel lug nuts after 10, 25 and 50 miles. A periodic check during regular service is recommended.

Tires







Prior to mounting tires onto wheels, do as follows:

1. Make sure rim size and contour are approved by the Tire and Rim Association Yearbook or the tire manufacturer's catalog.
2. Verify tire load rating.
 - A. If the load is not evenly distributed across all tires, use the tire rated for the heaviest wheel position.
3. Consult the Rubber Manufacturers Association or the tire manufacturer's guidelines for wheel mounting procedures.

Tire pressure is very important to promoting tire life and performance. Tire pressure should always be in accordance with the manufacturer's recommended pressure rating for any given load. Check tire pressure as follows:

1. Always check tire pressure cold before operation.
2. Do not bleed air from tires when they are hot.

Tire Tread Wear Pattern Chart

What Is Happening?	Why?	What Should Be Done?
Center Wear 	Over-inflation	Adjust pressure to particular load per tire catalog.
Edge Wear 	Under-inflation	Adjust pressure to particular load per tire catalog.
Side Wear 	Loss of camber or overloading	Make sure load does exceed axle rating. Call LCI Service & Warranty to advise.
Toe Wear 	Incorrect Toe-in	Call LCI Service & Warranty to advise.
Cupping 	Out-of-balance	Check bearing adjustment and balance tires.
Flat Spots 	Wheel lockup and tire skidding	Avoid sudden stop if possible and adjust brakes.

3. Check inflation pressure weekly during use to ensure maximum tire and tread life.
4. Inspect for tire tread wear patterns that may indicate serious wheel alignment or excessive load limit issues. Refer to the Tire Tread Wear Pattern Chart.

NOTE: Tire wear should be checked frequently. Once a tire wear pattern is established, stopping becomes difficult, even when the underlying cause is corrected.

Introduction to Troubleshooting

The following section is a guideline for ensuring operation of your braking system. The safety of you, those traveling with you and those sharing the road is paramount and it starts with the ability to safely stop the tow vehicle and the towed vehicle.

Troubleshooting

Most brake malfunctions can be corrected by utilizing the Troubleshooting Chart. Mechanical failure is the most common form of malfunction, however, if the brake system fails and it's not mechanical, it is usually electrical. A Voltmeter and Ammeter are essential tools to diagnosing these problems.

Mechanical problems are mostly self-evident; something is bent or broken. Consult the Troubleshooting Chart to determine the probable cause and corrective actions for a variety of issues with the braking system.

Remember to use only LCI replacement parts on these systems. Consult the Limited Warranty or call our Service Department for any other related issues.

Troubleshooting Chart

NOTE: If all trailer lights and brakes do not work, check your wiring plug connection (Wiring Diagram, Fig. 13). Make sure the ball is making solid contact with the coupler (that is how a trailer is grounded). Too much grease or not using dielectric grease on the ball and coupler can cause this to happen.

Measuring Voltage

The Braking System voltage is measured at the two lead wires of the magnet on any brake. Use the pin probes inserted through the insulation of the lead wires. To ensure that the battery is indicating a full charge, the towing vehicle engine should be running with the trailer coupler connected when checking the voltage.

Voltage in the system should begin at 0 volts and, as the brake pedal of the tow vehicle is applied, voltage will gradually increase to about 12 volts. If the system does not indicate at least 12 volts, problems may occur in the wiring of the system, the battery or alternator of the tow vehicle.

When the brakes are applied, a gradual increase in voltage is preferable to a quick increase to 12 volts. A gradual increase in voltage ensures smooth and firm trailer braking. A quick increase in voltage will cause the braking system to feel like the trailer is grabbing too quickly.

Taking a voltage reading is usually done with probes inserted into the wire connector (Fig. 10).

Measuring Amperage

Braking System amperage is the amount of current flowing through the system when all magnets have been energized. Amperage will change proportionately with voltage. To ensure the battery is fully charged, the tow vehicle engine should be running with the trailer coupler connected when checking the voltage.

If a resistor is used in the brake system, it **MUST** be set at zero or bypassed completely to obtain the maximum amperage reading. Individual amperage draw can be measured by inserting the ammeter in the line at the magnet you want to check. Disconnect one of the magnet lead wire connectors and attach the ammeter between the two wires. Consult Amperage Chart for normal amp readings.

Fig. 10



Troubleshooting Chart		
What Is Happening?	Why?	What Should Be Done?
No brakes	Open circuits	Find and correct
	Short circuits	Test and correct
	Severe under-adjustment	Adjust brakes
Weak brakes	Grease or oil on magnets or linings	Clean or replace
	Corroded connections	Clean and correct cause of corrosion
	Worn linings or magnets	Replace
	Scored or grooved brake drums	Machine or replace
	Improper synchronization	Correct
	Under-adjustment	Adjust brakes
	Glazed Linings	Re-burnish or replace
Locking brakes	Under-adjustment	Adjust
	Improper synchronization	Correct
	Loose, bent or broken brake components	Test and correct
	Out-of-round brake drums	Machine or replace
	Insufficient wheel load	Adjust system resistor and synchronize
Intermittent brakes	Broken wires	Test and correct
	Loose connections	Repair or replace
	Faulty ground	Find and repair
Brakes pull to one side	Wrong magnet lead wire color	Adjust
	Incorrect adjustment	Correct
	Grease or oil on linings or magnets	Clean or replace
	Broken wires	Find and repair
	Bad connections	Find and repair
Harsh brakes	Under-adjustment	Adjust
	Improper synchronization	Correct
Noisy brakes	Under-adjustment	Adjust
	Lack of lubrication	Lubricate
	Broken component	Replace component
	Incorrect brake components	Correct
Surging brakes	Grease or oil on linings or magnets	Clean or replace
	Out-of-round or cracked brake drums	Machine or replace
Dragging brakes	Over-adjustment	Readjust
	Out-of-round brake drums	Machine or replace
	Incorrect brake components	Replace
	Loose, bent or broken brake components	Replace
	Faulty breakaway switch	Repair or replace
	Loose wheel bearing adjustment	Adjust
	Bent spindle	Replace axle

Fig. 11**Fig. 12**

Make sure that the wires are properly reconnected and sealed after testing is completed.

Testing for amperage can be done with probes (Fig. 11) or alligator clips on the leads or an amp clamp (Fig. 12).

Amperage Chart

Amperage Chart			
Amps/Magnet	Two Brakes	Four Brakes	Six Brakes
3.0	6.0	12.0	18.0

Low or no voltage are the most common problems with the Braking System. Amperage at the brakes is also a relatively common issue. Common causes of these conditions are:

1. Low quality electrical connections.
2. Open circuits.
3. Insufficient wire gauge. (Reference Trailer Wire Gauge Chart.)
4. Broken wires.
5. Blown fuses (fusing of brakes is not recommended).
6. Short circuits (indicated by high amperage).

Trailer Wire Gauge Chart		
Gauge and Type	Number of Axles	Length of Run
16 Ga Stranded Copper	1	N/A
14 Ga Stranded Copper	2	Under 30ft. (9.1m) from hitch to center of axles
12 Ga Stranded Copper	2 or 3	Over 30ft. (9.1m) from hitch to center of axles

Possible causes of shorts are:

1. Shorted magnet coils.
2. Bare wires contacting a grounded object.

Finding the cause of a short circuit in the system is done by isolating one section at a time. If the high amperage reading drops to zero by unplugging the trailer, then the short is in the trailer. If the amperage reading remains high with all the brake magnets disconnected, the short is in the trailer wiring.

All electrical troubleshooting procedures should start at the controller. Most complaints regarding brake harshness or malfunction are traceable to improperly adjusted or nonfunctional controllers. See your controller manufacturer's data for proper adjustment and testing procedures. For best results, all the connection points in the brake wiring should be sealed to prevent corrosion. Loose or corroded connectors will cause an increase in resistance which reduces the voltage available for the brake magnets.

Maintenance Schedule

Item	Function Required	3,000 Miles	12 Months / 36,000 Miles (Whichever comes first)
Brakes	Test that they are operational.	At Every Use	
Oil Level	Check oil level in hubs, if equipped.	At Every Use	
Brake Adjustment	Adjust to proper operating clearance. Not required for self-adjusting brakes.	◆	
Brake Magnets	Inspect for wear and current draw.		◆
Brake Linings and Pads	Inspect for wear or contamination.		◆
Hub/Drum and Rotors	Inspect for abnormal wear or scoring.		◆
Wheel Bearing	Inspect for corrosion or wear. Clean and repack.		◆
Seals	Inspect for leakage. Replace if removed.		◆
Springs	Inspect for wear, loss of arch.		◆
Suspension Parts	Inspect for bending, loose fasteners, wear.		◆
U-bolts	Tighten to specified torque values		◆

Wiring Diagram

Fig. 1

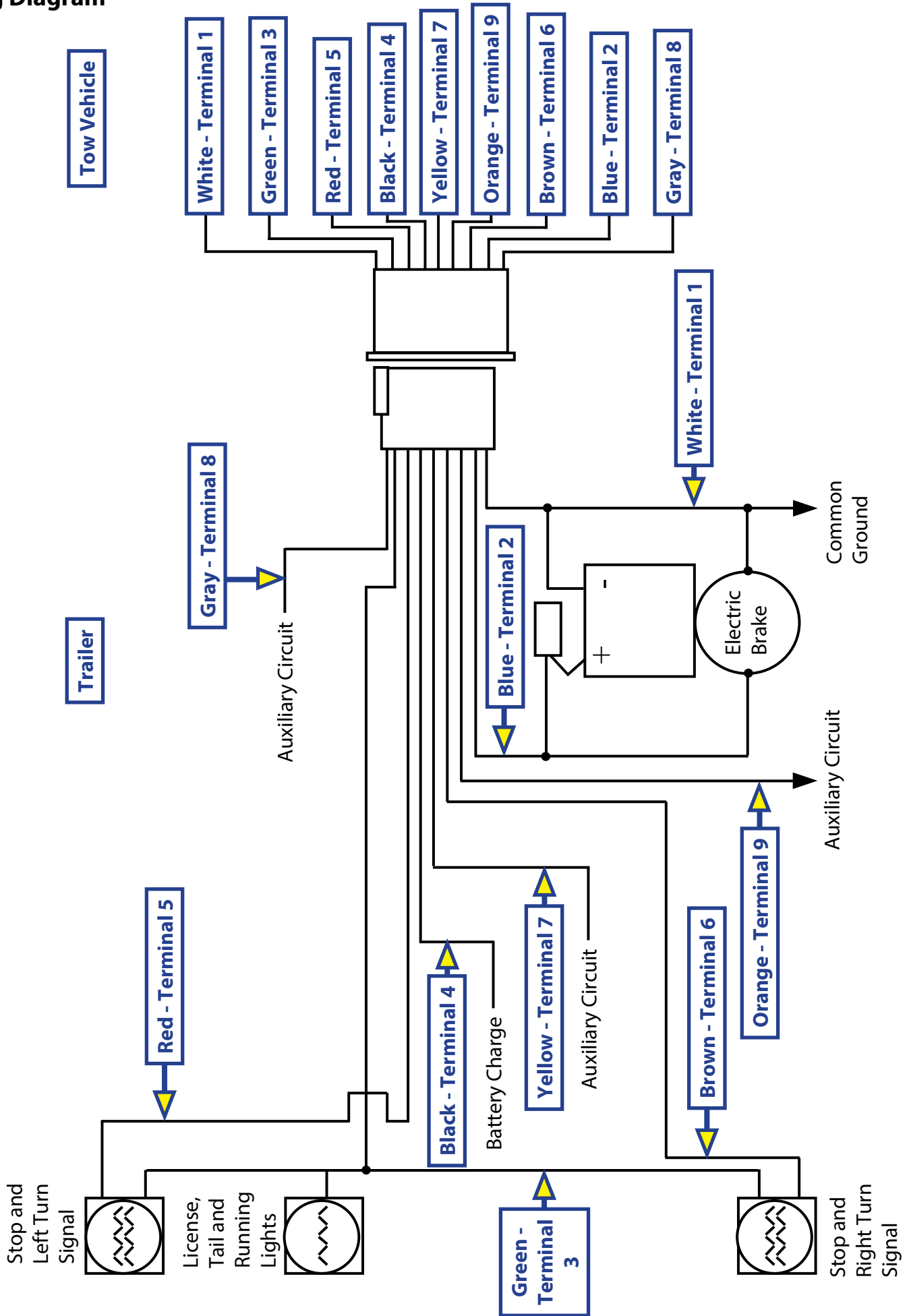
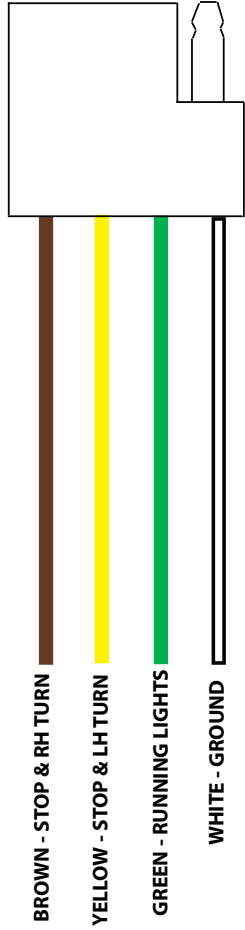
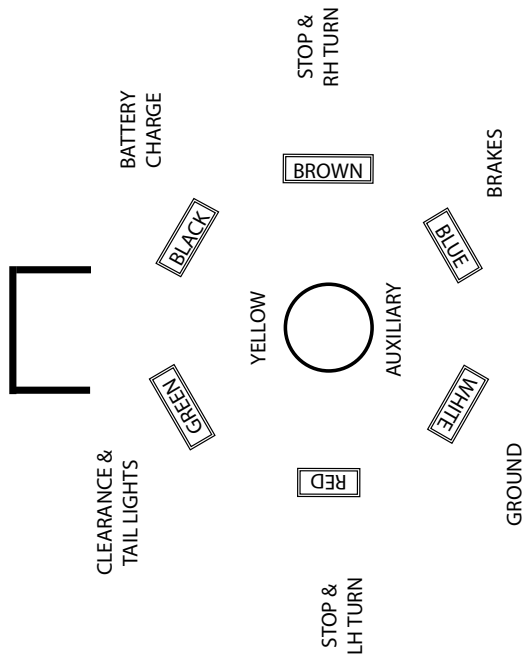


Fig. 1

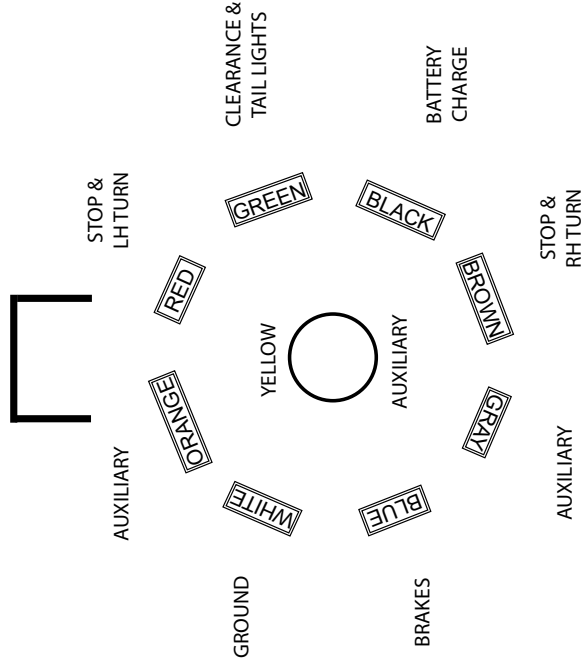


TRAILER LIGHTS PIGTAIL - DOES NOT OPERATE BRAKES

7-PIN COUPLER



9-PIN COUPLER



TRAILER BRAKE AND LIGHT COUPLER - OPERATES BRAKES

Storage

Storage Preparation

If your trailer is to be stored for an extended period of time, the trailer will need to be prepared prior to going into storage. Follow these guidelines to set up your trailer for storage:

1. If the trailer has an emergency breakaway battery, remove it and store it inside, out of the weather. Charge the battery at least every 90 days.
2. Jack up the trailer and place jack stands under the trailer frame so that the weight will be off the tires. Follow trailer manufacturer's guidelines to lift and support the trailer.
3. Lubricate mechanical moving parts such as the hitch, and suspension parts, that are exposed to the weather.
4. In the case of boat trailer axles that are subject to repeated immersion, remove brake drums; clean, dry and re-lubricate moving brake components; inspect bearings, clean and re-lubricate.



Lift the trailer by its frame and never the axle or suspension. Do not go under the trailer unless it is properly supported by jack stands. Unsupported trailers can fall causing death or serious injury.

Extended Storage Inspection Procedures

Trailer should remain on jack stands during this procedure:

1. Remove all wheels and hubs or brake drums. Reinstall drum to same spindle and brake from which it was removed.
2. Inspect suspension for wear.
3. Check tightness of hanger bolt, shackle bolt, and U-bolt nuts of the suspension for correct torque.
4. Check brake linings, brake drums and armature faces for excessive wear, scoring, damage or corrosion.
5. Check brake magnets with an ohmmeter. The magnets should check 3.2 ohms. If shorted or worn excessively, they must be replaced.
6. Lubricate all brake moving parts using a high temperature brake lubricant.
7. Remove any rust from braking surface and armature surface of drums with fine emery paper or crocus cloth. Be sure to protect bearings from contaminating dust.
8. Inspect oil or grease seals for wear or nicks. Replace if necessary. Using the following [Trip Preparation Checklist](#) before starting a trip with your trailer is highly recommended. Allow plenty of time prior to any trip for any service or repairs that may need to be done before using the trailer.
9. Lubricate hub bearings.
10. Reinstall hubs and adjust bearings.
11. Mount and tighten wheels.

NOTE: Avoid getting any grease or oil on brake linings and pads or magnet surfaces.

Trip Preparation Checklist

The following checklist offers several guidelines to prolonging the quality of your running gear and will provide trustworthy and safe trailering for years to come.

Using the following checklist before starting a trip with your trailer is highly recommended. Allow plenty of time prior to any trip for any service or repairs that may need to be done before using the trailer.

1. Maintenance schedule should be current.
2. Inspect hitch for corrosion, lubrication and wear.
3. Inspect safety chains for rust and wear. Engage chains and breakaway switch actuating chain securely. Breakaway battery should be fully charged.
4. Electronic coupler must be secure. Run check on all lights and brake engagement and synchronization. Refer to Figures 13 and 14.
5. Load trailer with 10% of total weight on the hitch end of trailer. Smaller trailers' front end load should be increased to 15%.
6. Do not overload. Consult your trailers ID plate for gross vehicle weight restrictions.
7. Tires should be inflated to manufacturer's specifications. Inspect tires for any damage or wear.
8. Inspect lug nuts/bolts. All should be torqued to specifications. Refer to Spring Axle Torque Specifications Chart and the Wheel Torque Requirement Chart for torque limits.
9. Check torque of all bolts and nuts on suspension.
10. Check that your trailer is towing level. Adjust hitch height if necessary to level trailer.



The contents of this manual are proprietary and copyright protected by Lippert Components, Inc. ("LCI"). LCI prohibits the copying or dissemination of portions of this manual unless prior written consent from an authorized LCI representative has been provided. Any unauthorized use shall void any applicable warranty. The information contained in this manual is subject to change without notice and at the sole discretion of LCI. Revised editions are available for free download from lci1.com.

Please recycle all obsolete materials.

For all concerns or questions, please contact
Lippert Components, Inc.

Ph: 574-537-8900 | Web: lci1.com | Email: customerservice@lci1.com